

Product Brochure For W4224

Wood Band Saw - BP-355

2 Blade Speeds - 420 & 840m/min
345mm Throat Depth x 245mm Height Capacity



On Sale

Ex GST	Inc GST
\$1,648.00	\$1,895.20
\$1,390.43	\$1,599.00

ORDER CODE:	W4224
MODEL:	BP-355
Wheel Diameter (Ø) (mm):	355
Throat Capacity (mm):	345
Height Capacity (mm):	245
Table Size (mm):	535 x 435
Frame Type:	Steel
Motor Power (kW / hp):	1.5 / 2
Voltage / Amperage (V / amp):	240 / 10
Blade Code (Suits):	W4224A,W4224B,W4224F
Blade Size (L x W x T) (mm):	2750 x 16 x 0.65
Floor Space (W x D x H) (mm):	920 x 760 x 1810
Nett Weight (kg):	121



Description

The BP-355 bandsaw sits in the middle of our entire wood bandsaw range respectively for size & cutting capacity at 345 x 245mm, and its price definitely represents excellent value. So if you're looking for a bandsaw that is structurally robust and has all the great features that most require, maybe this bandsaw is the machine for you.

Not only is this machine structurally robust it also has curved blade guard doors and cabinet stand giving it the pleasing aesthetic appeal, and that won't look out of place in any workshop or shed. The BP355 is equipped with many features like ball bearing blade guides to ensure smooth blade rotation & accuracy, safety magnetic power switch that in an event you lose power whilst operating the machine it won't automatically start up when power is restored, it requires you to re - activate the switch when your read to cut again.

The blade tension guide indicator makes it very easy for the operator to adjust when swapping over the balde, simply look through the access panel on front door and wind the tension up so it aligns with the blade size you are currently going to install. It has a fair size 535 x 435mm cast iron table with an aluminium rip fence and mitre guide to help you cut straight or angles to the required size. The table mounting trunnions are adjustable to get your tale to tilt from 90 to 45 degrees and has a quick action locking lever

The dust extraction port located at rear of machine will remove most of your internal dust once connect to your dust extractor. The 2-speed pulley system rotates at 420 or 840m/min and his driven by a powerfully matched 1500W / 2hp 240V motor.

Features

- 1500W / 2hp 240V motor
- Safety magnetic switch with emergency stop
- Curved hinged blade guards with safety micro-switches
- Heavy duty steel fabricated frame
- Ball bearing blade guides
- 2 x blade speeds 420 / 840m/min.
- Quick-release blade tension mechanism
- Blade tension sight indicator
- Rack & pinion adjustment on top blade guide
- Cast iron table tilts to 45°
- 100mm dust chute

Includes

- Mitre guide
- Quick lock rip fence

Product Brochure For W4224

- Enclosed stand

Specific Features



Blade Release Tension - Tracking & Blade Lock



Large Work Table

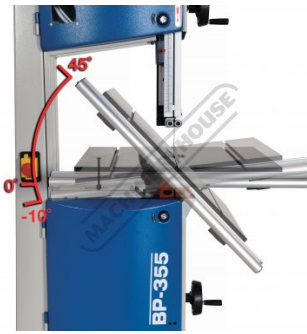
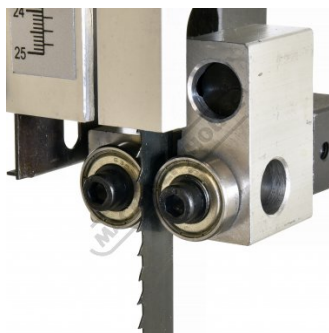


Table Adjustment Angles



Mitre Guide



Ball Bearing Blade Guides



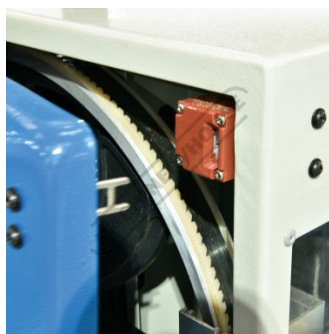
Blade Guard



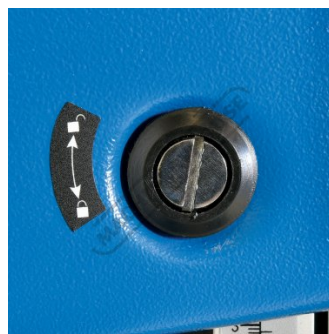
Blade Height Scale



Blade Guards Fitted with Safety Micro Switches



Safety Micro Switch On Door



Safety Locks On Doors



Blade Tracking Side View Window



Wheel Cleaning Brush



Rip Fence Magnification View Window



Lower Storage



Side View



Rear View

Product Brochure For W4224

Recommended Accessories

W4224A

Wood Band Saw Blade - 6TPI,
Blade - 2750 x 16 x 0.65mm



W4224B

Wood Band Saw Blade - 3TPI,
Blade - 2750 x 16 x 0.65mm



W4224F

Wood Band Saw Blade - 6TPI
Narrow, Blade - 2750 x 6.2 x
0.65mm



W309

Safety Push Blocks & Stick Set



W930

Mobile Base



W931

Mobile Base - Heavy Duty



W332

Dust Collector



W886

Dust Collector



Product Brochure For W4224

W344
Wood Dust Accessory Kit



W334
Dust Hose Reducer



W333
Dust Hose Reducer



W335
Blast Gate



W336
Dust Hose Elbow - 90 Degree



W337
Dust Hose Y Adaptor



W338
Dust Hose Universal Dust Hood



W339
Dust Hose Floor Sweeper Attachment



W340
Dust Hose Clamp



W343
Roller Stand



W343A
Roller Stand



W3434
Roller Stand

