

Product Brochure For W295

Curved Tool Rest Set - CTR-4

Ø25mm Shaft

Suits Most Wood Lathes

Ex GST
\$92.00

Inc GST
\$105.80



ORDER CODE:	W295
MODEL:	CTR-4
Type:	Curved Tool Rest Set
No. of Piece:	~
Size:	38, 51, 63, 230
Internal Thread:	~
External Thread:	~
Suits:	Most Wood Lathes



Description

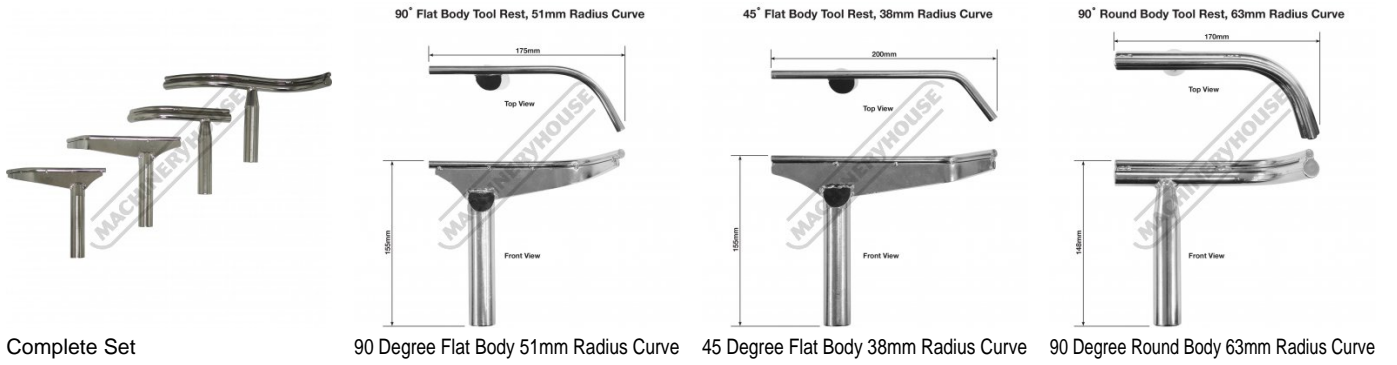
Reach far into the interior of bowls with ease with these 4 invaluable tool rests. These comfortable, ergonomically designed tool rests that will provide you all-day turning support. With the unique design, your fingers will fit snugly on the rest and let you get closer to your work. The ultra smooth, round hardened steel top let will let you effortlessly glide your lathe tool for superior results.

Features

- Ø25mm shaft
- Approximately 150mm overall height
- 1 x S Type tool rest (Round Body) 230mm long
- 1 x 90 Deg tool rest (Round Body) 63mm radius curve
- 1 x 90 Deg tool rest (Flat Body) 51mm radius curve
- 1 x 45 Deg tool rest (Flat Body) 38mm radius curve

Product Brochure For W295

Specific Features



Recommended Accessories

W385
Mini Wood Lathe

W382
Swivel Head Wood Lathe

W384
Swivel Head Wood Lathe

K021
Swivel Head Wood Lathe & Tooling Package Deal



Product Brochure For W295

W387

Electronic Variable Speed Wood
Lathe

