

Product Brochure For W112

## Micro Welding Steel Clamp Set - MWC-4

0 - 7mm Clamping Thickness

Set of 4 Clamps



**Ex GST**  
**\$34.00**

**Inc GST**  
**\$39.10**

ORDER CODE:	W112
MODEL:	MWC-4
Type:	Micro Steel Clamp Set
Clamping Capacity:	0 - 7mm
Locking Handle - Pivot Movement:	~
Clamp Bar - Pivot Movement:	~
Plunger Travel (mm):	~
Throat Depth (mm):	~
Opening (mm):	~
Size:	~
Quantity Per Pack (No.):	4
Clamping Force (kg):	~
Over all Length (mm):	~
Nett Weight (kg):	~



### Description

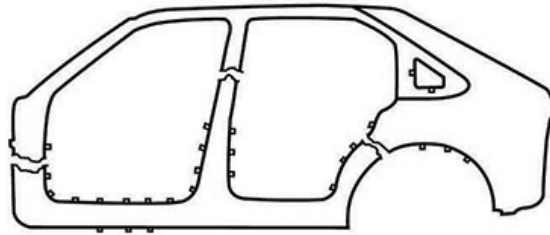
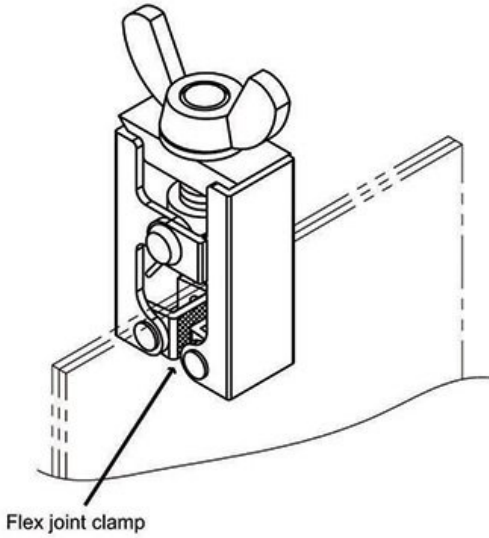
A fast and effective method of fastening materials for pinch/spot welding. Unique design generates huge clamping force ideal for automotive applications and especially effective for positioning body panels prior to welding in small spaces such as windows edges, door columns & hatch backs etc.

### Features

- Manufactured from steel
- Adjustable thickness clamp from 0 to 7mm
- Self aligning & serrated clamp faces for increased grip
- Spring loaded opening via thumb lock

Product Brochure For W112

---



**Specific Features**



Close Up View

Product Brochure For W112

**Recommended Accessories**

**W113**  
Butt Welding Aluminium & Steel  
Clamp Set



**W1005**  
Snake Magnet & Spring Clamp



**W1006**  
Adjust-O Magnet Square -  
Heavy Duty



**W1007**  
Adjust-O Magnet Square -  
Heavy Duty



**W1010**  
Corner Magnets - (2-Pack)



**W1011**  
XYZ Magnet Squares - Multi-  
Angle - (2-Pack)



**W1012**  
Adjustable Corner Clamping  
Plier Set



**W1013**  
Corner Clamping Plier



Product Brochure For W112

---

W1015  
Pipe Plier

W1016  
Locking C-Clamp - Round Tip

W1017  
Locking C-Clamp - Swivel Tip

