

Product Brochure For W07863

WT16-SB150 - Straight Bar Stop

150 x 30 x 12mm

Suits Ø16mm Welding Tables Holes

On Sale

Ex GST

~~\$40.00~~

\$33.91

Inc GST

~~\$46.00~~

\$39.00



ORDER CODE:	W07863
MODEL:	WT16-SB150
Hole Diameter (Ø):	16mm
Size (mm):	150 x 30 x 12
Number of Holes (No.):	1
Slot Length (mm):	111
Nett Weight (kg):	0.20

 METALMASTER



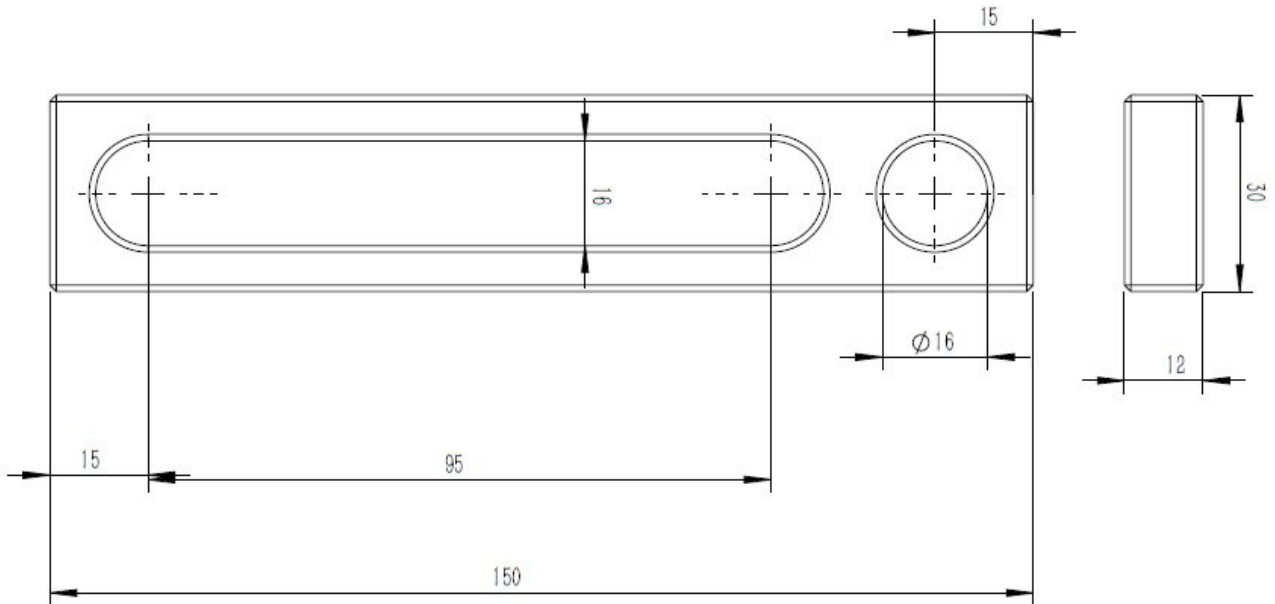
Description

These precision machined straight bar stop to use on any welding table with 16mm fixturing holes. They can be used as a stop, table extension or a platform to allow for infinite adjustments in fixturing.

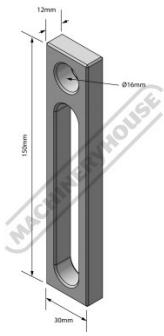
Features

- 16mm precision bored hole
- 12mm thick plate

Product Brochure For W07863



Specific Features



Dimensions



Shown On Welding Table

Product Brochure For W07863

Recommended Accessories

W08010

BuildPro 90° V-Pad



W08016

BuildPro Aluminium 120° V-Pad
(2 Piece Pack)



W08012

BuildPro V-Block Spacer



W08042

BuildPro Ball Lock Bolt - Fixed Length

