

## Product Brochure For W07846

**Clamping Square - WT16-CSQ100**

140 x 90 x 105 x 50mm, 3 machined faces, 100mm high

Suits Ø16mm Welding Tables Holes

**Ex GST**  
**\$62.00****Inc GST**  
**\$71.30**

ORDER CODE:	W07846
MODEL:	WT16-CSQ100
Type:	Clamping Square
Suits Table Hole Diameter (Ø (mm)):	Ø16mm
Size (mm):	140 x 90 x 100 x 50mm
Slot Length (mm):	~
Nett Weight (kg):	0.32

**Description**

These three-sided clamping squares feature machined square surfaces for a variety of clamping applications. Clamping squares can be used as part of your framework to support clamps & other fixtures at varying heights.

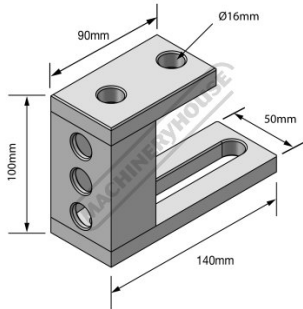
Stack clamping squares as needed to match the height of tall workpieces or add fixture components such as V-Blocks to hold your workpiece vertically or horizontally. The combination of holes and slots provide unlimited versatility in clamping, locating and positioning.

**Features**

- 12mm thick steel construction
- Includes 5 x Ø16mm hole & 1 x 105mm slot
- 3 machined faces

Product Brochure For W07846

**Specific Features**



Dimensions



Clamping Square 100mm



Low View



100mm 200mm 300mm Range Available

**Recommended Accessories**

W08280

42pc Welding Table Clamping & Fixturing Kit



W08301

180 Degree Welding Table Clamp with T-Bar Handle



W08304

90 Degree Welding Table Clamp with T-Bar Handle



W08307

45 Degree Welding Table Clamp with T-Bar Handle



W08372

Countersink Ball Lock Pin 28 x 50mm



W08370

Ball Lock Pin 28 x 50mm



W08371

Ball Lock Pin 28 x 75mm



W08360

Cross Type 90 / 120° V-Pad



Product Brochure For W07846

---

W08340  
Straight Bar Stop



W08341  
Straight Bar Stop



W08342  
Straight Bar Stop



W08343  
Straight Bar Stop



W08320  
Right Angle Bracket / Stop



W08321  
Right Angle Bracket / Stop



W08325  
Right Angle Bracket / Stop



W08330  
L Bracket



W08331  
L Bracket



W08335  
T Bracket



W08329  
Adjustable Angle Bracket



W08326  
Angle Bracket Set



Product Brochure For W07846

---

W08327  
Angle Bracket Set



W08350  
Riser Block



W08351  
Riser Block



W08255  
2000 x 1000mm M28 Pro Series  
Welding Table



W08257  
2400 x 1200mm M28 Pro Series  
Welding Table



W08260  
3000 x 1500mm M28 Pro Series  
Welding Table

