

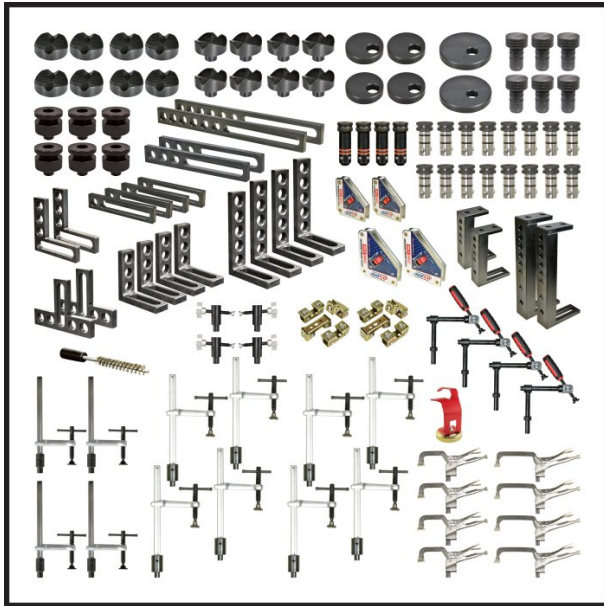
Product Brochure For W07817

## 120pc Pro Series Welding Table Clamp Kit - WT16-KIT120

Suits Metalmaster M16 Pro Series Tables  
Suits Ø16mm Welding Tables Holes

**Package Deal**

Ex GST                      Inc GST  
**\$3,282.00                \$3,774.30**



**Package Contents - SAVE \$1,115.50 (Inc)**

4 x W07887 - 50mm Eccentric Pad WT16-EC50	\$36.80
2 x W1091 - Magnetic Swivel V-Pad Clamps WMVP-2M	\$32.20
2 x W1072 - Switchable Multi-Angle Welding Magnet WCM-140HD	\$82.80
2 x W1071 - Switchable Multi-Angle Welding Magnet WCM-90HD	\$64.40
1 x W10362 - Magnetic MIG Torch Rest MTH-1	\$25.30
2 x W08508 - 50mm Side Clamp (2 Piece Pack) SDC-50	\$55.20
2 x W08507 - Cross Type 90 / 135° V-Pad (4 Piece Pack) SCVM-90135	\$36.80
2 x W08506 - Magnetic Cross Type 90 / 135° V-Pad (4 Piece Pack) SCVM-901	\$36.80
1 x W08504 - Locating Pin 16 x 40mm SCLP-16	\$34.50
3 x W08503 - Adjustable Rest Pad - 2pc Pack SCAP-40	\$55.20
1 x W07900 - Steel Cleaning Brush WT16-CB16	\$32.20
4 x W07893 - Ball Lock Pin 16 x 36mm WT16-BLP36	\$36.80
16 x W07891 - Ball Lock Pin 16 x 24mm WT16-BLP24	\$32.20
2 x W07888 - 75mm Eccentric Pad WT16-EC75	\$43.70
4 x W07826 - Universal Tilting Welding Table Clamp WT16-UT120	\$105.80
2 x W07866 - Straight Bar Stop WT16-SB300	\$112.70
2 x W07864 - Straight Bar Stop WT16-SB200	\$64.40
4 x W07863 - Straight Bar Stop WT16-SB150	\$50.60
2 x W07857 - T Bracket WT16-TB130	\$126.50
2 x W07853 - L Bracket WT16-LB105	\$71.30
2 x W07848 - Clamping Square WT16-CSQ300	\$119.60
2 x W07847 - Clamping Square WT16-CSQ200	\$98.90
4 x W07845 - Right Angle Bracket / Stop WT16-AB1405x1	\$57.50
4 x W07844 - Right Angle Bracket / Stop WT16-AB993	\$50.60
4 x W07839 - Welding Table Rapid Clamp WT16-RC14	\$39.10
4 x W07837 - Welding Table Rapid Clamp WT16-RC9	\$36.80
8 x W07832 - Welding Table Clamp WT16-C1030	\$50.60
4 x W07830 - Welding Table Clamp WT16-C825	\$41.40
<b>Normal Price (Inc):</b>	<b>\$4,889.80</b>

METALMASTER



ORDER CODE:	W07817
MODEL:	WT16-KIT120
Suits Table Hole Size (Ø):	16mm
Suit Table Thickness:	12mm
Quantity Per Pack (No.):	120
Nett Weight (kg):	~

### Description

Our 120pc Pro Series welding table kit offer you great versatility for all your welding & fixturing needs. Tailored to suit our M16 Pro Series welding tables with 16mm fixturing holes making it ideal addition to your welding table. With a total of 120 pieces, it is an affordable & functional kit for flat steel, round & square tubing applications. This clamping kit is perfect for the set-up of a multitude of welding tasks & aids in the ability to work comfortably, safely and efficiently for improved work quality and productivity.

### Features

- Suits Metalmaster M16 Pro Series tables with 12mm table thickness with Ø16mm holes
- 120-piece kit that all works in combination with each other to solve many clamping applications
- Adaptable to suit flat, square & round material

### Includes

- 4 x W07887 - WT16-EC50 50mm Eccentric Pad Up to 37mm Offset
- 2 x W07888 - WT16-EC75 75mm Eccentric Pad Up to 50mm Offset
- 2 x W1091 - WMVP-2M Magnetic Swivel V-Pad Clamps 10kg Pull Force - 4pc Pack
- 2 x W1072 - WCM-140HD Switchable Multi-Angle Welding Magnet 70kg Pull Force
- 2 x W1071 - WCM-90HD Switchable Multi-Angle Welding Magnet 40kg Pull Force
- 1 x W10362 - MTH-1 Magnetic MIG Torch Rest
- 2 x W08508 - SDC-50 50mm Side Clamp (2 Piece Pack)

## Product Brochure For W07817

- 2 x W08507 - SCV-90135 Cross Type 90 / 135° V-Pad (4 Piece Pack)
- 2 x W08506 - SCVM-90135 Magnetic Cross Type 90 / 135° V-Pad (4 Piece Pack)
- 1 x W08504 - SCLP-16 Locating Pin 16 x 40mm
- 3 x W08503 - SCAP-40 Adjustable Rest Pad Ø40 x Ø16 x 35-45mm - 2pc Pack
- 1 x W07900 - WT16-CB16 Steel Cleaning Brush - Suits Ø16mm Hole Tables
- 4 x W07893 - WT16-BLP36 Ball Lock Pin 16 x 36mm
- 16 x W07891 - WT16-BLP24 Ball Lock Pin 16 x 24mm
- 4 x W07826 - WT16-UNIV Universal Tilting Welding Table Clamp +/- 42 Degrees
- 2 x W07866 - WT16-SB300 Straight Bar Stop 300 x 30 x 12mm
- 2 x W07864 - WT16-SB200 Straight Bar Stop 200 x 30 x 12mm
- 4 x W07863 - WT16-SB150 Straight Bar Stop 150 x 30 x 12mm
- 2 x W07857 - WT16-TB130 T Bracket 130 x 90 x 30mm, 4 Holes, 1 Slot
- 2 x W07853 - WT16-LB105 L Bracket 105 x 105 x 30mm, 3 Holes, 1 Slot
- 2 x W07848 - WT16-CSQ300 Clamping Square 140 x 90 x 300 x 50mm
- 2 x W07847 - WT16-CSQ200 Clamping Square 140 x 90 x 200 x 50mm
- 4 x W07845 - WT16-AB1405x1 Angle Bracket / Stop 140 x 90 x 30mm, 5 Holes, 1 Slot
- 4 x W07844 - WT16-AB993 Right Angle Bracket 90 x 90 x 30mm, 3 Holes, 1 Slot
- 4 x W07839 - WT16-RC14 Welding Table Rapid Clamp 159mm Throat x 120mm Height
- 4 x W07837 - WT16-RC9 Welding Table Rapid Clamp 93mm Throat x 100mm Height
- 8 x W07832 - WT16-C1030 Welding Table Clamp 100mm Throat x 300mm Height
- 4 x W07830 - WT16-C825 Welding Table Clamp 80mm Throat x 250mm Height

## Recommended Accessories

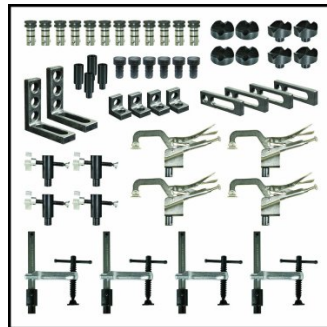
### W07820

Table & Accessory Lifting Kit



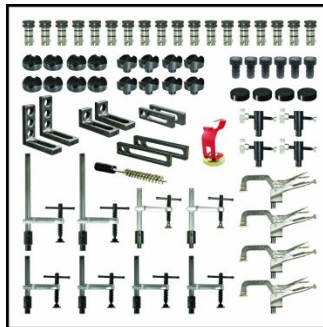
### W07814

52pc Pro Series Welding Table Clamp Kit



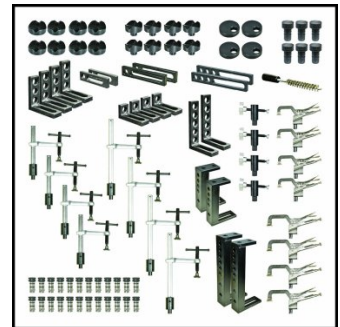
### W07815

70pc Pro Series Welding Table Clamp Kit



### W07816

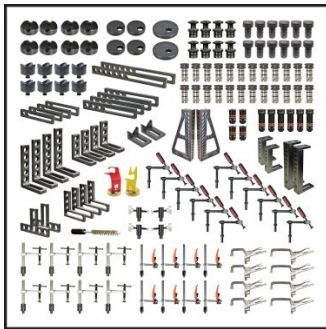
93pc Pro Series Welding Table Clamp Kit



Product Brochure For W07817

**W07818**

151pc Pro Series Welding Table Clamp Kit



**W07806**

800 x 1200mm M16 Pro Series Welding Table Top with Pull-out Tray



**W07806K**

M16 Pro Series Mobile Welding Station



**W07809**

1200 x 1200mm M16 Pro Series Welding Table



**W07804**

2000 x 1000mm M16 Pro Series Welding Table



**W07811**

2000 x 1000mm M16 Pro Series Welding Table



**W07812**

2400 x 1200mm M16 Pro Series Welding Table

