

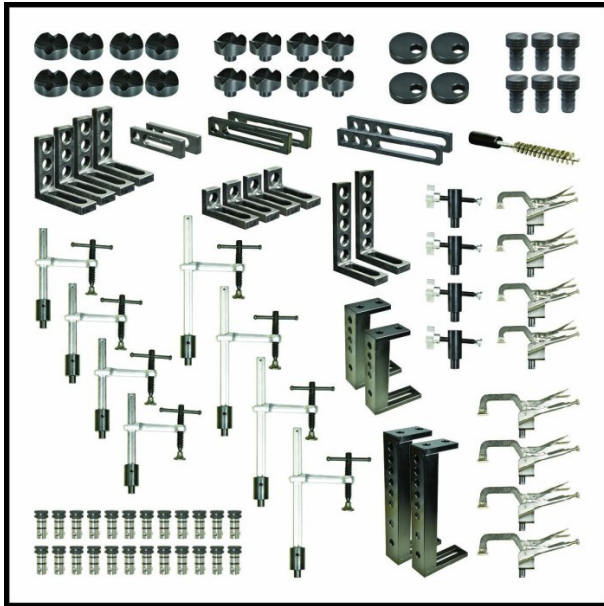
Product Brochure For W07816

## 93pc Pro Series Welding Table Clamp Kit - WT16-KIT93

Suits Metalmaster M16 Pro Series Tables  
Suits Ø16mm Welding Tables Holes

**Package Deal**

Ex GST                      Inc GST  
**\$2,136.00                \$2,456.40**



Package Contents - SAVE \$756.70 (Inc)		
2 x	W07862 - Straight Bar Stop WT16-SB115	\$36.80
2 x	W08508 - 50mm Side Clamp (2 Piece Pack) SDC-50	\$55.20
2 x	W08507 - Cross Type 90 / 135° V-Pad (4 Piece Pack) SDC-90	\$36.80
2 x	W08506 - Magnetic Cross Type 90 / 135° V-Pad (4 Piece Pack) SDC-135	\$36.80
1 x	W08504 - Locating Pin 16 x 40mm SCLP-16	\$34.50
1 x	W07900 - Steel Cleaning Brush WT16-CB16	\$32.20
24 x	W07891 - Ball Lock Pin 16 x 24mm WT16-BLP24	\$32.20
4 x	W07887 - 50mm Eccentric Pad WT16-EC50	\$36.80
2 x	W07864 - Straight Bar Stop WT16-SB200	\$64.40
2 x	W07863 - Straight Bar Stop WT16-SB150	\$50.60
6 x	W07831 - Welding Table Clamp WT16-C1020	\$46.00
2 x	W07848 - Clamping Square WT16-CSQ300	\$119.60
2 x	W07847 - Clamping Square WT16-CSQ200	\$98.90
2 x	W07845 - Right Angle Bracket / Stop WT16-AB1405x1	\$57.50
4 x	W07844 - Right Angle Bracket / Stop WT16-AB993	\$50.60
4 x	W07841 - Right Angle Bracket / Stop WT16-AB943	\$41.40
4 x	W07837 - Welding Table Rapid Clamp WT16-RC9	\$36.80
4 x	W07836 - Welding Table Rapid Clamp WT16-RC6	\$29.90
4 x	W07832 - Welding Table Clamp WT16-C1030	\$50.60
<b>Normal Price (Inc):</b>		<b>\$3,213.10</b>



ORDER CODE:	W07816
MODEL:	WT16-KIT93
Suits Table Hole Size (Ø):	16mm
Suit Table Thickness:	12mm
Quantity Per Pack (No.):	93
Nett Weight (kg):	~

### Description

Our 93pc Pro Series welding table kit offer you great versatility for all your welding & fixturing needs. Tailored to suit our M16 Pro Series welding tables with 16mm fixturing holes making it ideal addition to your welding table. With a total of 93 pieces, it is an affordable & functional kit for flat steel, round & square tubing applications. This clamping kit is perfect for the set-up of a multitude of welding tasks & aids in the ability to work comfortably, safely and efficiently for improved work quality and productivity.

### Features

- Suits Metalmaster M16 Pro Series tables with 12mm table thickness with Ø16mm holes
- 93-piece kit that all works in combination with each other to solve many clamping applications
- Adaptable to suit flat, square & round material

### Includes

- 6pcs of 100mm Throat Welding Table Clamps (200mm Cap.)
- 4pcs of 100mm Throat Welding Table Clamps (300mm Cap.)
- 4pc of Side Clamps
- 4pcs of 63mm Rapid Clamps
- 4pcs of 93mm Rapid Clamps
- 8pcs of Magnetic Cross Type V-Pads (90, 135°)
- 8pcs of Cross Type V-Pads (90, 135°)
- 6pcs of Locating Pins
- 4pcs of 12mm Magnetic Rest Pads
- 24pcs of 16 x 24mm Ball Lock Pins
- 2pcs of 115mm Straight Bar Stops
- 2pcs of 150mm Straight Bar Stops
- 2pcs of 90 x 40 x 30mm Angle Brackets
- 2pcs of 90 x 90 x 30mm Angle Brackets
- 1pcs of 16mm Steel Cleaning Brush
- 1pc of Magnetic Mig Torch Holder

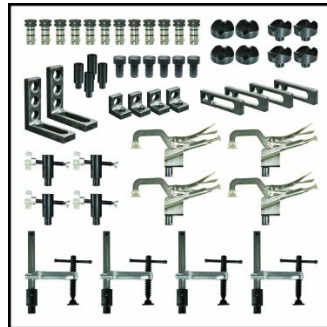
Product Brochure For W07816

**Recommended Accessories**

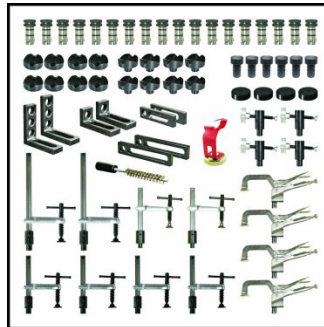
**W07820**  
Table & Accessory Lifting Kit



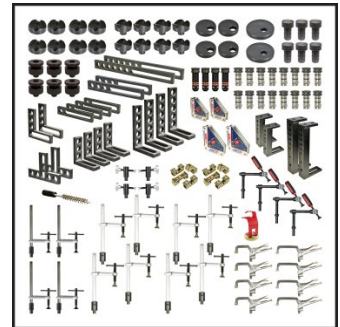
**W07814**  
52pc Pro Series Welding Table Clamp Kit



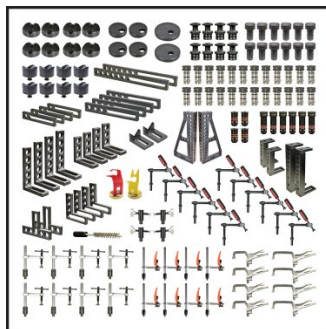
**W07815**  
70pc Pro Series Welding Table Clamp Kit



**W07817**  
120pc Pro Series Welding Table Clamp Kit



**W07818**  
151pc Pro Series Welding Table Clamp Kit



**W07806**  
800 x 1200mm M16 Pro Series Welding Table Top with Pull-out Tray



**W07806K**  
M16 Pro Series Mobile Welding Station



**W07809**  
1200 x 1200mm M16 Pro Series Welding Table



Product Brochure For W07816

---

**W07804**

2000 x 1000mm M16 Pro Series  
Welding Table

**W07811**

2000 x 1000mm M16 Pro Series  
Welding Table

**W07812**

2400 x 1200mm M16 Pro Series  
Welding Table

