

Product Brochure For W07805K

800 x 1200mm M16 Pro Series Welding Table Cart Package Deal - WT16-1208CPK

500kg Total W.L.L.
Ø16mm Holes



METALMASTER



Package Deal

Ex GST

Inc GST

\$3,282.00

\$3,774.30

Package Contents - SAVE \$1,198.30 (Inc)

1 x W08504 - Locating Pin 16 x 40mm SCLP-16	\$34.50
1 x W1091 - Magnetic Swivel V-Pad Clamps WMVP-2M	\$32.20
2 x W1086 - Switchable Multi-Angle Welding Magnet WCM-118	\$18.40
2 x W1085 - Switchable Multi-Angle Welding Magnet WCM-118	\$18.40
1 x W1082 - Multi Angle Corner Magnets - 2pc Pack WCM-118	\$29.90
1 x W1081 - Multi Angle Corner Magnets - 2pc Pack WCM-118	\$25.30
1 x W10362 - Magnetic MIG Torch Rest MTH-1	\$25.30
2 x W08508 - 50mm Side Clamp (2 Piece Pack) SDC-50	\$55.20
1 x W08507 - Cross Type 90 / 135° V-Pad (4 Piece Pack) SDC-50	\$36.80
1 x W08506 - Magnetic Cross Type 90 / 135° V-Pad (4 Piece Pack) SDC-50	\$36.80
1 x W08505 - 12mm x Ø38mm Magnetic Rest Pad - 4pc Pack WCM-118	\$36.80
1 x A422 - 2 Drawer - Industrial Under Bench Tooling Cabinet	\$280.60
10 x W07891 - Ball Lock Pin 16 x 24mm WT16-BLP24	\$32.20
2 x W07863 - Straight Bar Stop WT16-SB150	\$50.60
2 x W07862 - Straight Bar Stop WT16-SB115	\$36.80
2 x W07844 - Right Angle Bracket / Stop WT16-AB993	\$50.60
2 x W07840 - Right Angle Bracket / Stop WT16-AB443	\$36.80
2 x W07837 - Welding Table Rapid Clamp WT16-RC9	\$36.80
2 x W07836 - Welding Table Rapid Clamp WT16-RC6	\$29.90
4 x W07829 - Welding Table Clamp WT16-C815	\$36.80
1 x W07805 - 800 x 1200mm M16 Pro Series Welding Table	\$1,298.20

Normal Price (Inc): \$4,972.60

ORDER CODE:	W07805K
MODEL:	WT16-1208CPK
Table Hole Diameter (Ø):	16
Table Top Finish (Type):	Plasma Nitriding Coating
Table Top Size (mm):	800 x 1200
Grid Pattern (mm/Type):	50 x 50 / Standard
Table Height (mm):	900
Table Side Height (mm):	50 / 65
Top Plate Thickness (mm):	12
Table Slots (mm):	~
Static Load Capacity (kg):	~
Total W.L.L. (kg):	500
Number of Legs (No.):	~
Nett Weight (kg):	180

Description

The WT16-1208C Metalmaster M16 Pro Series Welding Table Cart is our economical version for a mobile welding solution, built for strength, precision and versatility. Packaged together with a 2 drawer storage cabinet & 61pc fixturing & accessory kit making this your complete "go-to" fixturing station.

With sturdy 70 x 70mm square tube legs providing a solid working surface for any welding tasks. With its Ø125mm swivel caster & 500kg load capacity ensures it can handle a wide range of jobs, from small-scale projects to heavy-duty industrial work.

The 800 x 1200mm table top is constructed from a welded S355 steel frame, CNC-machined for precise flatness. Featuring Ø16mm holes with a 50 x 50mm hole grid pattern, it offers versatile clamping options for fixtures. Solid steel ribs and 50mm high sides enhance rigidity, while the plasma nitriding coating provides resistance to spatter, wear, and rust.

Features

- Includes a 2 drawer storage cabinet & a 61pc fixturing & welding accessory kit
- 800 x 1200mm 3D Welding Tabletop with Ø16mm precision bored fixing holes
- 50 x 50mm hole grid pattern offering a multitude of clamping options
- Plasma nitriding surface finish for increased hardness, rust & spatter resistance

Product Brochure For W07805K

- Tabletop is manufactured from heavy S355 plate steel
- CNC machined to ensure flatness
- Sturdy 70 x 70mm square steel legs with Ø125mm swivel casters with 2 brake wheels for secure positioning
- A working height of 900mm for ergonomic use
- Total WLL = 500kg weight capacity
- Includes galvanized steel dust tray

Includes

- 1 x WT16-1208C - 800 x 1200mm M16 Pro Series Welding Table Cart
- 1 x HC-2 - Industrial Under Bench Tooling Cabinet
- 4 x WT16-C815 - Welding Table Clamp
- 2 x WT16-RC6 - Welding Table Rapid Clamp
- 2 x WT16-RC9 - Welding Table Rapid Clamp
- 2 x WT16-AB443 - Right Angle Bracket / Stop
- 2 x WT16-AB993 - Right Angle Bracket / Stop
- 2 x WT16-SB115 - Straight Bar Stop
- 2 x WT16-SB150 - Straight Bar Stop
- 10 x WT16-BLP24 - Ball Lock Pin 16 x 24mm
- 1 x SCLP-16 - Locating Pin 16 x 40mm - (6pc Pack)
- 1 x SCMP-12 - 12mm x Ø38mm Magnetic Rest Pad - (4pc Pack)
- 1 x SCVM-90135 - Magnetic Cross Type 90 / 135° V-Pad - (4pc Pack)
- 1 x SCV-90135 - Cross Type 90 / 135° V-Pad - (4pc Pack)
- 2 x SDC-50 - 50mm Side Clamp - (2pc Pack)
- 1 x MTH-1 - Magnetic MIG Torch Rest
- 1 x WCM-3A - Multi Angle Corner Magnets - (2pc Pack)
- 1 x WCM-4A - Multi Angle Corner Magnets - (2pc Pack)
- 2 x WCM-3S - Switchable Multi-Angle Welding Magnet
- 2 x WCM-5S - Switchable Multi-Angle Welding Magnet
- 1 x WMVP-2M - Magnetic Swivel V-Pad Clamps (4pc Pack)

Specific Features



Includes 61 Piece Fixturing Kit



Shown with Under Bench Tooling Cabinet HC-2



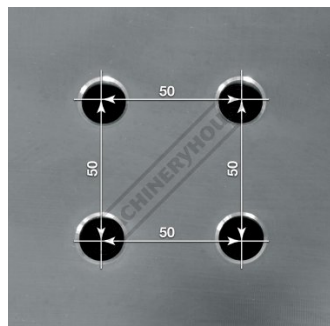
Full View Pull Out Tray



Heavy Duty Steel Legs 70 x 70mm



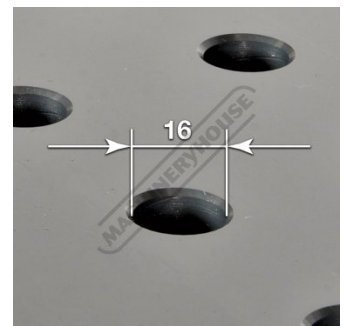
Heavy Duty Swivel Brake Wheels



50 x 50mm Hole Centre Pattern



Plasma Nitride table surface treatment



Ø16mm Diameter Holes

Product Brochure For W07805K



12mm Table Thickness



Strengthened by Welded Webbing

Recommended Accessories

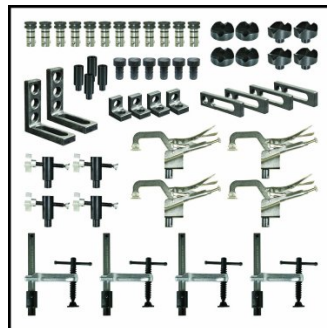
A423

3 Drawer - Industrial Under Bench Tooling Cabinet



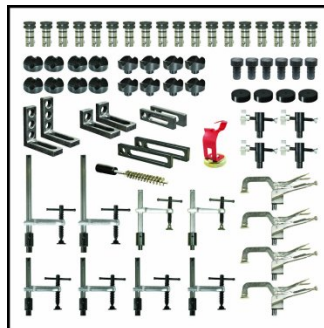
W07814

52pc Pro Series Welding Table Clamp Kit



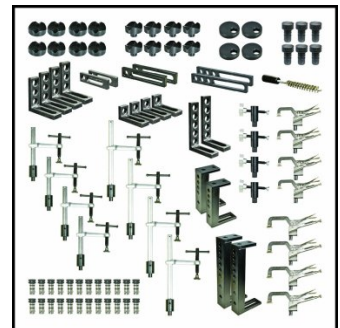
W07815

70pc Pro Series Welding Table Clamp Kit



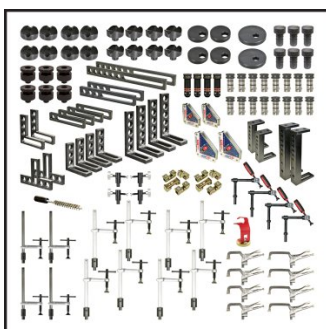
W07816

93pc Pro Series Welding Table Clamp Kit



W07817

120pc Pro Series Welding Table Clamp Kit



W07818

151pc Pro Series Welding Table Clamp Kit

