

Product Brochure For W07705

66 Piece - Rhino Cart Mobile Fixturing Station - TDQ612075-K1

1200 x 750 x 910mm (LxWxH)

Ø16mm Holes

On Sale

Ex GST

Inc GST

~~\$3,892.00~~

~~\$4,475.80~~

\$3,400.00

\$3,910.00



ORDER CODE:	W07705
MODEL:	TDQ612075-K1
Table Top Finish (Type):	Nitrided Black Oxide
Table Top Size (mm):	1200 x 750
Table Height (mm):	910
Table Side Height (mm):	~
Top Plate Thickness (mm):	16
Grid Pattern (mm):	50 x 50
Table Hole Diameter (Ø):	16
Table Slots (mm):	~
Static Load Capacity (kg):	700
Total W.L.L. (kg):	~
Number of Legs (No.):	~
Nett Weight (kg):	195



Description

The Rhino Cart Mobile Fixturing Station is a turnkey system for fixturing and clamping in welding and fabrication. Clamp and fixture at any point on the reversible, flat, nitrided (heat treated) 1200 x 750mm tabletop for accuracy in all of your setups.

Accurately fit-up and hold work pieces for tacking and welding with the Rhino Cart package, including: The Rhino Cart Welding Table + 66 piece Fixture Kit. Rhino Package Part No.: TDQ612075-K1

16mm thick steel plate reversible tabletop with nitrided black oxide protective finish for wear, rust and weld spatter resistance. Accurately position parts in CNC precision bored 16mm diameter holes in 50 x 50mm spacing pattern

Features

- Tabletop Life: Nitrided and black oxide table plate is reversible. Weld spatter, rust and scratch resistant.
- Tabletop Size: 1200 x 750mm
- Tabletop Thickness: 16mm
- Hole Diameter: Ø16mm
- Grid Pattern: 50 x 50mm
- Table Height: 910mm
- Static Loading Capacity: 700kg
- Package Net Weight: 195kg
- 2 x fixed & 2 x swivel brake caster wheels
- Levelling feet for mobile or stationary use
- Rhino shelves, racks and pegboard keep your fixing tools organised and within easy reach!

Includes

- 1 x TDQ612075 - 1200 x 750 x 910mm Welding table cart
- 10 x T65055 - Ball lock bolt, adjustable range: 24 ~ 28mm
- 2 x T64201 - Ø16mm locating pin
- 2 x PT07K - Inserta pliers, 60mm opening, Max. 50mm reach
- 2 x PT09K - Inserta pliers, 85mm opening, Max. 75mm reach
- 2 x UDN6150 - Inserta clamp, 150mm opening, 83mm reach, 16 x 8mm (D Rail), T-handle
- 2 x T64217 - Magnetic top V pads for inserta pliers and inserta clamps
- 2 x TCX6210 - Side clamp, 38mm stroke

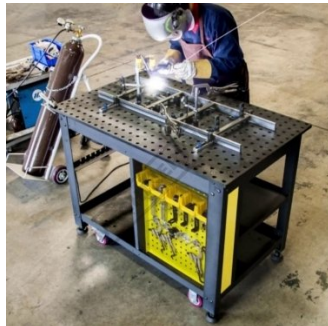
Product Brochure For W07705

- 4 x T64203 - Stop, Ø25 x 38mm
- 4 x T64205 - Stop, Ø25 x 50mm
- 8 x T64216 - V-Block, Ø40 x 23mm
- 4 x T64211 - V-Block spacer, Ø40 x 27mm
- 8 x T60630 - D-Stop bar, 120 x 25 x 11.5mm
- 12 x T50737 - Magnetic rest button, Ø40 x 11.5mm
- 2 x T60304 - Right angle bracket, 41 x 91 x 30mm
- 2 x T60305 - Right angle bracket, 91 x 91 x 30mm
- 1 x Backing panel with square holes to suits hooks & holders
- 5 x Plastic buckets
- 1 x Bucket holder
- 10 x Single prong hooks
- 5 x Double prong hooks

Specific Features



Accessories Included



Shown In Use



Shown with Accessories



Right Low View



Left View



Left Low View



Front View



Left Side View



Rear Right View



Rear Left View

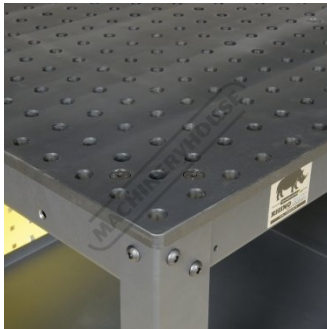


Nitrided and Black Oxide Table Plate is Reversible

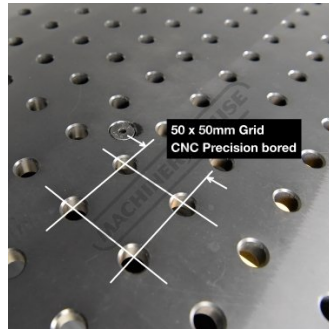


16mm Thick Table Top

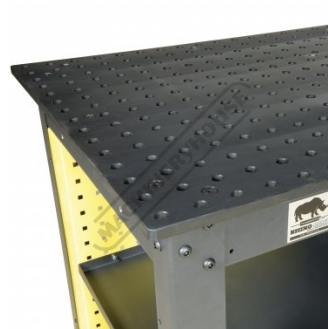
Product Brochure For W07705



16mm Hole Diameter Table Top



50 x 50mm Grid Pattern



910mm Table Top Height



Weld Spatter Rust and Scratch Resistant



Push Handle



Storage Rack for Clamps



Storage Rack for Clamps Rear View



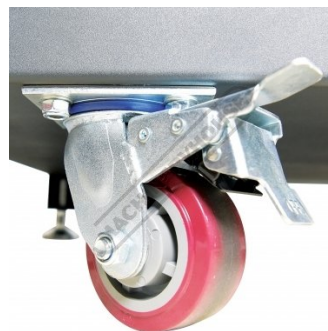
Pegboard with Accessories



Pegboard Panel for Storing Clamps and Accessories



2 x Fixed Caster Wheels



2 x Swivel Brake Caster Wheels



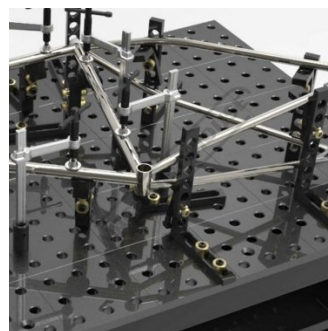
Leveling Feet



Inserta Clamp



Inserta Pliers



Right Angle Brackets

Product Brochure For W07705

Recommended Accessories

W07757
Plasma Cutting Tray



W08012
BuildPro V-Block Spacer



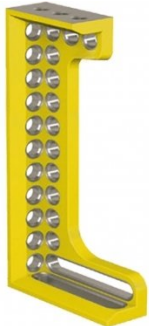
W08180
Modular Pipe & Tube Notcher



W08111
BuildPro Malleable Cast Iron Clamping Square



W08110
BuildPro Malleable Cast Iron Clamping Square



W08042
BuildPro Ball Lock Bolt - Fixed Length



W07900
Steel Cleaning Brush



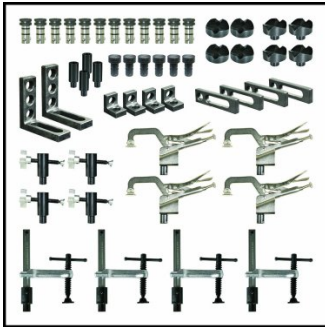
W07820
Table & Accessory Lifting Kit



Product Brochure For W07705

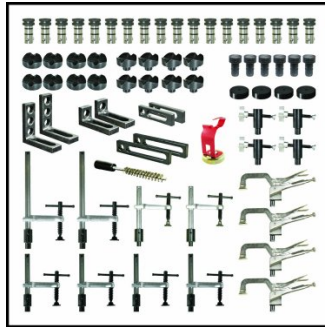
W07814

52pc Pro Series Welding Table Clamp Kit



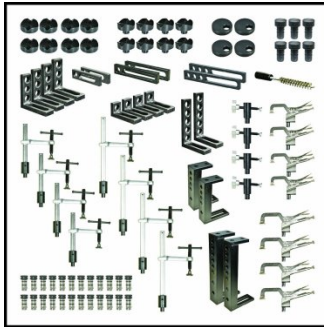
W07815

70pc Pro Series Welding Table Clamp Kit



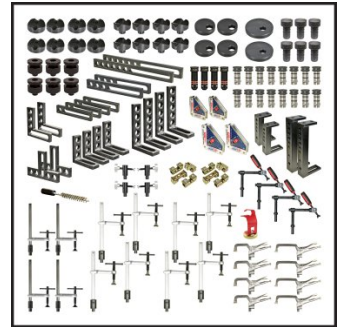
W07816

93pc Pro Series Welding Table Clamp Kit



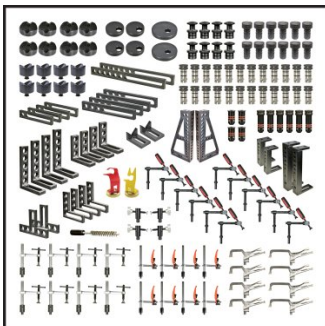
W07817

120pc Pro Series Welding Table Clamp Kit



W07818

151pc Pro Series Welding Table Clamp Kit



W08506

Magnetic Cross Type 90 / 135° V-Pad (4 Piece Pack)



W08507

Cross Type 90 / 135° V-Pad (4 Piece Pack)



W07880

Cross Type 90 / 120° V-Pad



W07885

130° V-Pad



W07884

90° V-Square Support



W08505

12mm x Ø38mm Magnetic Rest Pad - 4pc Pack



W08513

25mm x M12 Multi-Purpose Riser/Stops (Spigot Type) - 4pc Pack



Product Brochure For W07705

W08515

38mm x M12 Multi-Purpose Riser/Stops (Spigot Type) - 4pc Pack



W08517

50mm x M12 Multi-Purpose Riser/Stops (Spigot Type) - 4pc Pack



W08503

Adjustable Rest Pad - 2pc Pack



W07887

50mm Eccentric Pad



W07888

75mm Eccentric Pad



W08504

Locating Pin 16 x 40mm



W07899

Magnetic Plug Pin 16 x 12mm



W07897

Double Countersink Lock Pin 16 x 24mm



W07895

Countersink Ball Lock Pin 16 x 24mm



W07891

Ball Lock Pin 16 x 24mm



W07892

Ball Lock Pin 16 x 28mm



W07893

Ball Lock Pin 16 x 36mm



Product Brochure For W07705

W07862
Straight Bar Stop



W07863
Straight Bar Stop



W07864
Straight Bar Stop



W07866
Straight Bar Stop



W07840
Right Angle Bracket / Stop



W07841
Right Angle Bracket / Stop



W07844
Right Angle Bracket / Stop



W07845
Right Angle Bracket / Stop



W07853
L Bracket



W07855
L Bracket



W07857
T Bracket



W07858
T Bracket



Product Brochure For W07705

W07846
Clamping Square



W07847
Clamping Square



W07848
Clamping Square



W07850
Angle Bracket Set



W07851
Angle Bracket Set



W07852
Angle Bracket Set



W07868
Half Block



W07869
Half Block



W07870
Riser Block



W07875
Riser Block



W07877
Riser Block



W07836
Welding Table Rapid Clamp



Product Brochure For W07705

W07837
Welding Table Rapid Clamp



W07839
Welding Table Rapid Clamp



W08508
50mm Side Clamp (2 Piece Pack)



W08520
Adjustable Welding Table Clamp (2 Piece Pack)



W07826
Universal Tilting Welding Table Clamp



W07834
Ratchet Welding Table Clamp



W07835
Ratchet Welding Table Clamp



W07829
Welding Table Clamp



W07831
Welding Table Clamp



W07830
Welding Table Clamp



W07832
Welding Table Clamp



W07833
Welding Table Clamp



Product Brochure For W07705

W1081
Multi Angle Corner Magnets -
2pc Pack



W1082
Multi Angle Corner Magnets -
2pc Pack



W1085
Switchable Multi-Angle Welding
Magnet



W1086
Switchable Multi-Angle Welding
Magnet



W1071
Switchable Multi-Angle Welding
Magnet



W1072
Switchable Multi-Angle Welding
Magnet



W1091
Magnetic Swivel V-Pad Clamps



W10361
Magnetic TIG Torch Rest



W10362
Magnetic MIG Torch Rest



W112
Micro Welding Steel Clamp Set



W113
Butt Welding Aluminium & Steel
Clamp Set

