

Product Brochure For V336

Safeway Mechanical/Hydraulic Machine Vice - PHV-250

250mm Jaw Width
345mm Jaw Opening



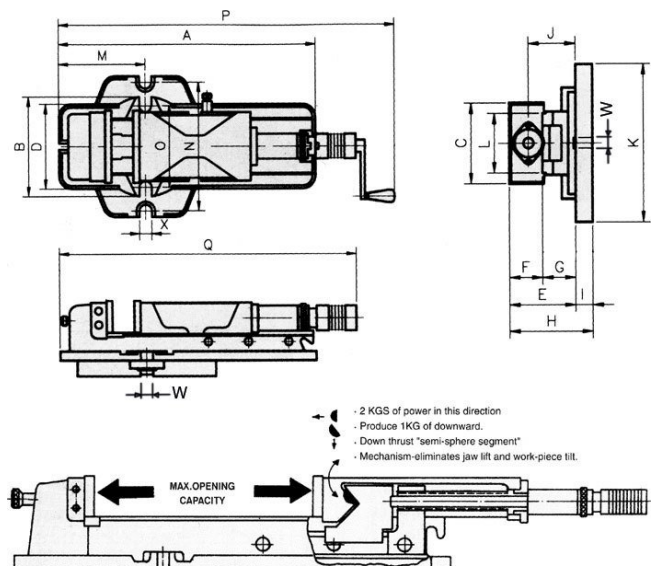
Description

250mm MECHANICAL/HYDRAULIC MACHINE VICE: Precision manufactured from rigid material - Ductile iron FCD60JIS (equal to GGG60) with 60kg/mm² or 80,000 psi tensile strength.
;All Safeway vices are precision ground and the surfaces set to the tolerances set out below. This allows these vices to be used in pairs and multiple configurations.

Features

- Flame-hardened to HRC 45 to take up wear and maintain accuracy
- The semi-sphere segment eliminates movable jaw lifting and creates a down force of 1kg for every 2kg of clamping force, preventing the work piece from tilting
- The hydraulic cylinder is mounted externally for easy maintenance
- Large clamping range through screw adjustment and 3 pin positions in the base.
- The vise can be used in either a mechanical mode or in a hydraulic mode adjustment and 3 pin positions in the base.
- The vise can be used in

ORDER CODE:	V336
MODEL:	PHV-250
C - Jaw Width (mm):	250
Max. - Jaw Opening (mm):	345
F - Jaw Height (mm):	80
Max. Pressure (kgf):	7000
A (mm):	810
B (mm):	320
D (mm):	290
E (mm):	190
G (mm):	110
H (mm):	238
I (mm):	48
J (mm):	139
K (mm):	460
L (mm):	195
M (mm):	320
N (mm):	410
O (mm):	270
P (mm):	920
Q (mm):	815
X (mm):	22
Keyway (W) (mm):	18
Nett Weight (kg):	140



Product Brochure For V336

Specific Features



Right View

Shown with Vice Pin in 1st Position

Side View Shown with Vice Pin in 3rd Position

Hydraulic Tension with Handle



Knurled Head Lifting Pins



Removable Jaws