

Product Brochure For V332

## Safeway Mechanical/Hydraulic Machine Vice - PHV-160

160mm Jaw Width  
310mm Jaw Opening

Ex GST                      Inc GST  
\$1,770.00                \$2,035.50



|                          |         |
|--------------------------|---------|
| ORDER CODE:              | V332    |
| MODEL:                   | PHV-160 |
| C - Jaw Width (mm):      | 160     |
| Max. - Jaw Opening (mm): | 310     |
| F - Jaw Height (mm):     | 58      |
| Max. Pressure (kgf):     | 4000    |
| A (mm):                  | 625     |
| B (mm):                  | 240     |
| D (mm):                  | 205     |
| E (mm):                  | 140     |
| G (mm):                  | 82      |
| H (mm):                  | 179     |
| I (mm):                  | 39      |
| J (mm):                  | 105     |
| K (mm):                  | 340     |
| L (mm):                  | 125     |
| M (mm):                  | 208     |
| N (mm):                  | 300     |
| O (mm):                  | 196     |
| P (mm):                  | 750     |
| Q (mm):                  | 640     |
| X (mm):                  | 18      |
| Keyway (W) (mm):         | 16      |
| Nett Weight (kg):        | 57      |

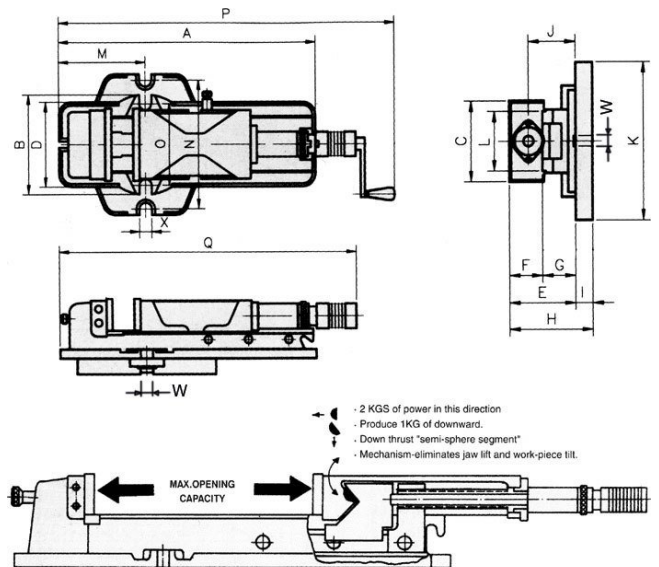


### Description

160mm MECHANICAL/HYDRAULIC MACHINE VICE: Precision manufactured from rigid material - Ductile iron FCD60JIS (equal to GGG60) with 60kg/mm<sup>2</sup> or 80,000 psi tensile strength. All Safeway vices are precision ground and the surfaces set to the tolerances set out below. This allows these vices to be used in pairs and multiple configurations.

### Features

- Flame-hardened to HRC 45 to take up wear and maintain accuracy
- The semi-sphere segment eliminates movable jaw lifting and creates a down force of 1kg for every 2kg of clamping force, preventing the work piece from tilting
- The hydraulic cylinder is mounted externally for easy maintenance
- Large clamping range through screw adjustment and 3 pin positions in the base.
- The vise can be used in either a mechanical mode or in a hydraulic mode



Product Brochure For V332

**Specific Features**



Front View



Hydraulic Tension with Handle



Knurled Head Lifting Pins



3 Pin Position Clamping Range



Removable Jaws

**Recommended Accessories**

V333  
Mechanical/Hydraulic Machine  
Vice Base

V3203  
Safeway Standard Hardened  
Jaws - 160mm

V3212  
Safeway Serrated Hardened  
Jaws - 160mm

V3208  
Safeway Vee Hardened Jaw -  
160mm

