

Product Brochure For V1441

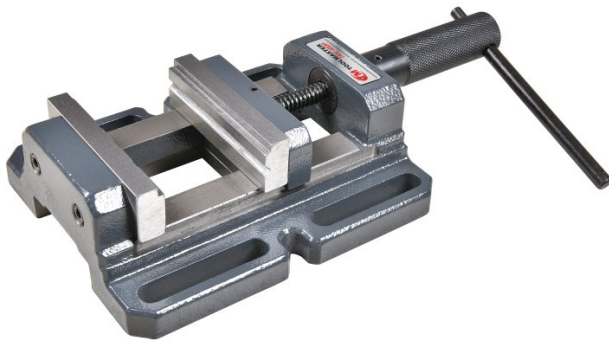
Drill Press Vice - TMV-100P

100mm Jaw Width

100mm Jaw Opening

Ex GST
\$116.00

Inc GST
\$133.40



ORDER CODE:	V1441
MODEL:	TMV-100P
Type:	Precision Drill Vice
Jaw Width (mm):	100
Jaw Opening (mm):	100
Jaw Depth (mm):	30
Nett Weight (kg):	5.9



Description

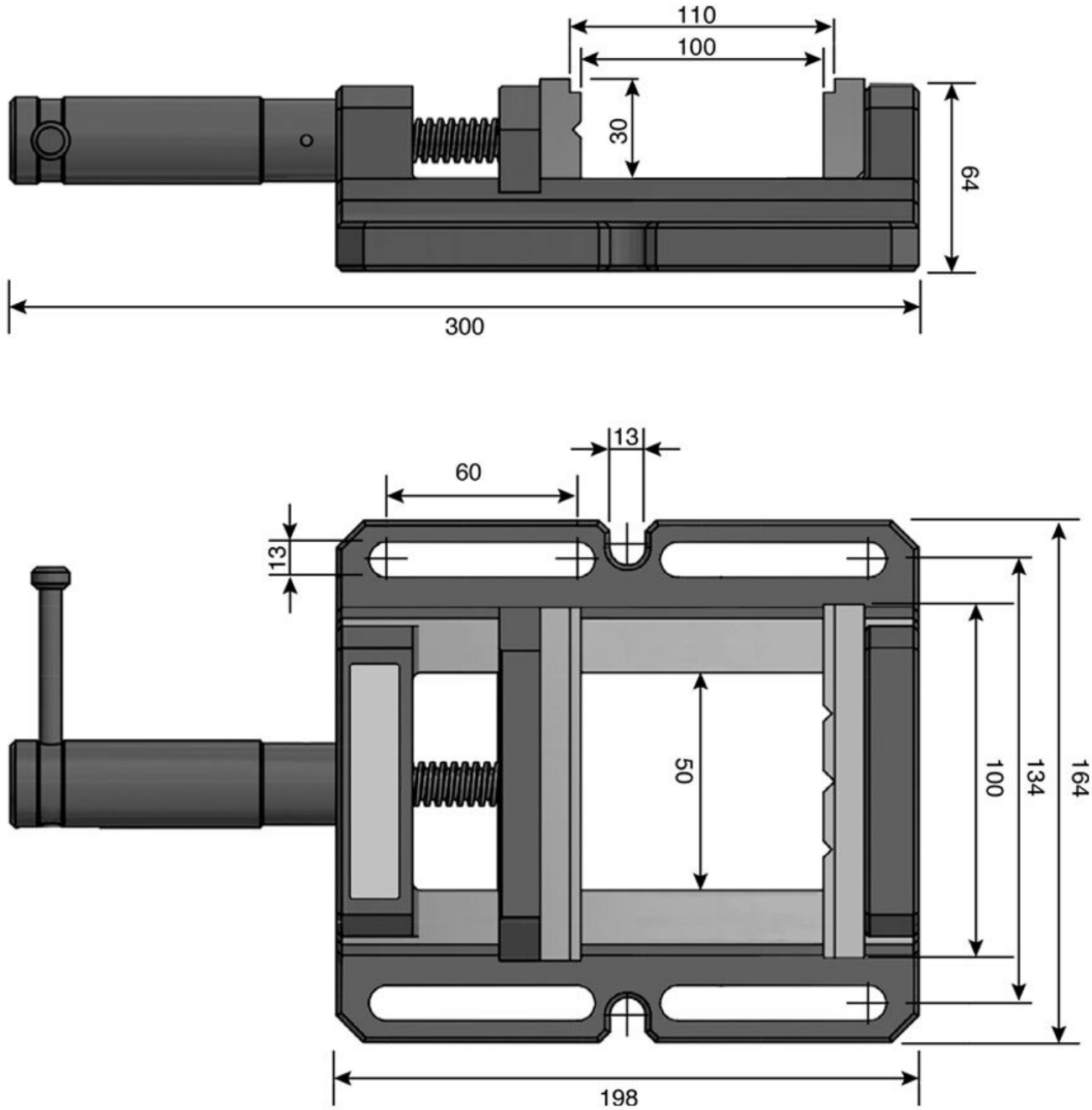
Manufactured from close grain cast iron.

The Deluxe Vice comes with jaws that are hardened, with vertical and horizontal grooves for prismatic work.

Features

- 100mm wide hardened and precision ground jaws
- 100mm opening with 50mm throat
- Prismatic jaw for securely clamping round work pieces
- Compact design
- Guide screw lead in mechanism

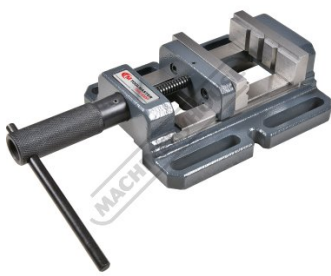
Product Brochure For V1441



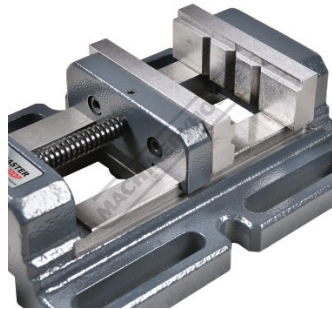
*** Dimensions are provided solely for the purpose of illustration; product tolerance may exhibit variations.**

Product Brochure For V1441

Specific Features



Rear View



Jaws

Recommended Accessories

V053

Aluminium Magnetic Soft Jaws

V0537

Aluminium Magnetic Soft Jaws

V0534

Aluminium Magnetic Soft Jaws

V054

Plastic Magnetic Soft Jaws



V0544

Plastic Magnetic Soft Jaws

