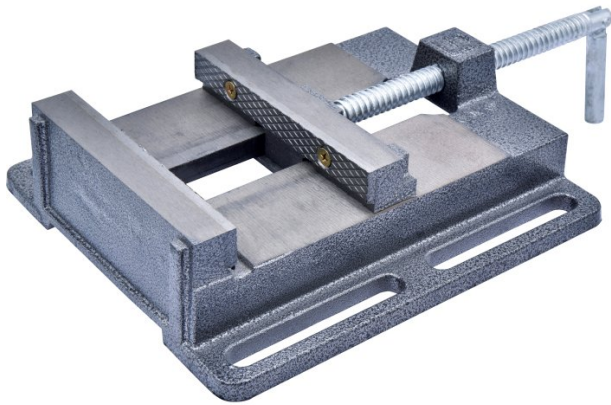


Product Brochure For V126

## Drill Press Vice - Standard

152mm Jaw Width  
145mm Jaw Opening



**On Sale**

Ex GST  
~~\$56.00~~  
**\$43.48**

Inc GST  
~~\$64.40~~  
**\$50.00**

ORDER CODE:	V126
MODEL:	~
Type:	Drill Vice
Jaw Width (mm):	152
Jaw Opening (mm):	145
Jaw Depth (mm):	27
Nett Weight (kg):	7



### Description

Manufactured from close grain cast iron.

### Specific Features



Rear View

Product Brochure For V126

---

**Recommended Accessories**

V0532

Aluminium Magnetic Soft Jaws

V0539

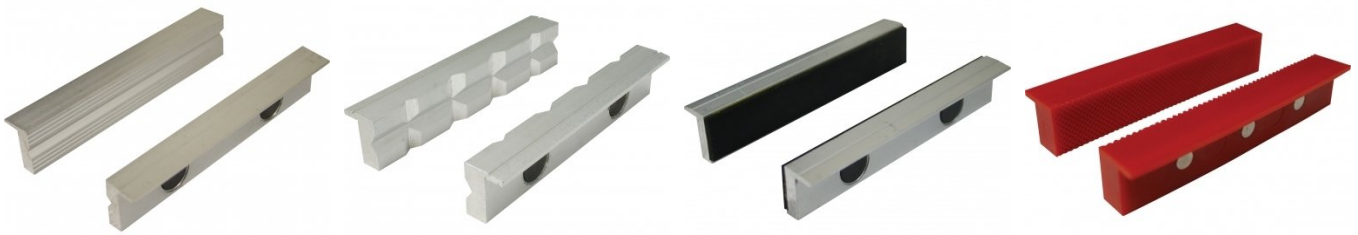
Aluminium Magnetic Soft Jaws

V0536

Aluminium Magnetic Soft Jaws

V0542

Plastic Magnetic Soft Jaws



V0546

Plastic Magnetic Soft Jaws

