

Product Brochure For T773

Industrial Mobile Tooling Cabinet Workstation - WTC-1450

1170 x 580 x 1450mm
100kg per Drawer

On Sale

Ex GST	Inc GST
\$1,330.00	\$1,529.50
\$1,000.00	\$1,150.00



ORDER CODE:	T773
MODEL:	WTC-1450
Number of Drawers (No.):	5
Drawer Load Capacity (kg):	100
Maximum Total Load Capacity (kg):	390
Includes Backing Panel:	~
Dimensions (W x D x H) (mm):	1170 x 580 x 1450
Nett Weight (kg):	121



Features

- Heavy duty tooling cabinets, ideal for industrial applications and serious workshops
- Backing panel perfect for optional hooks, prongs & holders
- The sliding drawers are a welded strengthened single rail design coupled with high quality mechanical bearings for long lasting smooth operation
- 5 Drawers, top drawers include a series of different size plastic boxes for those small items, all other drawers come with adjustable steel dividers
- 100kg load capacity per drawer with 97% access
- 250kg load capacity on work bench top
- 390kg total load capacity for mobile work station
- Key lockable drawers & cupboard
- Cupboard consist an adjustable shelf with a load capacity of 40kg
- Powder coated quality finish
- 950mm work bench height
- Portable on caster wheels, 2 with brake
- Includes push handle
- Table Dimensions (W x D x H): 1103 x 580 x 950mm
- Weighs 121kg

Product Brochure For T773

Specific Features



Shown with Optional Tools and Accessories



Front View



Side View



Cupboard with Adjustable Shelf



Top Drawer



2nd Drawer



Bottom Drawers



Key Lockable Drawers



Key Lockable Door



Fixed Wheels



Swivel Wheels



Push Handle



Rubber Matting



Drawer Railings



Drawer Locking Mechanism



Drawers with Safety Locks

Product Brochure For T773



Heavy Duty Drawers



Drawer Lock Bracket



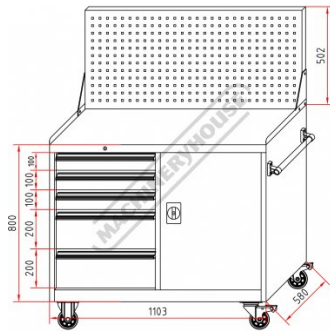
Drawers with Steel Dividers



Top Drawer with Plastic Buckets



Backing Panel Shown with Optional Hooks



Diagram

Recommended Accessories

T786
Steel Divider



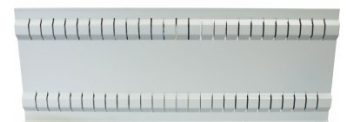
T788
Steel Divider



T786A
Slotted Rail



T788A
Slotted Rail



Product Brochure For T773

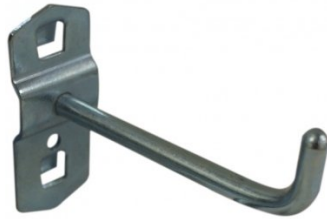
A439

Hook - Single Prong



A440

Hook - Single Prong



A4401

Hook - Single Prong



A441

Hook - Double Prong



A442

Hook - Double Prong



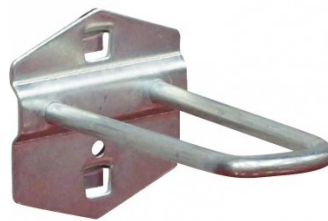
A4492

Hook - U Shape Holder



A449

Hook - U Shape Holder



A4496

Round Tool Holder - Loop



A444

Plier Holder - Triple Prong



A446

Holder - Spanner



A448

Holder - Screwdriver



A427

Plastic Bucket



Product Brochure For T773

A428
Plastic Bucket



A429
Plastic Bucket



T703
Magnetic Spray Can & Screwdriver Holder



H820
Metric Hex Key Set with T-Bar Handle



H821
Imperial Hex Key Set with T-Bar Handle



H822
Torx® Key Set with T-Bar Handle



D1272
Metric 135° Precision HSS Drill Set - 25 Piece



D1282
Imperial 135° Precision HSS Drill Set - 29 Piece



D1285
Metric 135° Precision HSS Drill Set - 51 Piece



D1071
HSS Sheet Metal Step Drill Set - 3 Piece



D1051
HSS Countersink Set (90° Cross Hole Type) - 4 Piece



D1061
HSS Countersink Set (90° 3 Flute Type) - 6 Piece



Product Brochure For T773

D508
HSS Industrial Centre Drill Set –
5Pcs



D070
Drill Sharpener



H880
Dead Blow, Nylon Face
Hammer



H870
Soft Face Hammer



H875
Soft Face Hammer - 5 piece



H885
Auto Panel Restoration Kit - DIY



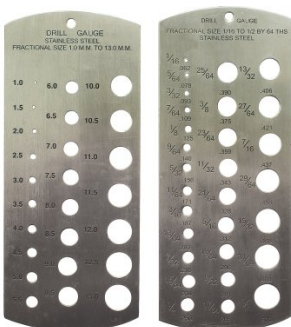
H886
Auto Panel Restoration Kit -
Professional



H887
Auto Panel Restoration Kit -
Master



M988
Metric & Imperial Drill Gauge



Q616
Feeler Gauge Set



T012
Metric Alloy Steel Tap & Die Set
- 32 Piece



T013
Metric HSS Tap & Die Set - 32
Piece



Product Brochure For T773

T014

Metric Alloy Steel Tap & Die Set - 45 Piece



T015

Imperial Alloy Steel Tap & Die Set - 45 Piece



T016

Metric HSS Tap & Die Set - 45 Piece



T870

Screw Extractor Set - 10 piece



T100

Metric Thread Repair Kit - 130 Piece



D108

Metric Carbide Tipped Hole Saw Set



D102

Metric HSS Hole Saw Set



F100

Engineers Files, 5 Piece Set - Second Cut



F120

Engineers File, Flat - Coarse Cut



F121

Engineers File, Flat - Second Cut



F122

Engineers File, Flat - Smooth Cut



F124

Engineers File, Half Round - Coarse Cut



Product Brochure For T773

F125

Engineers File, Half Round - Second Cut



F126

Engineers File, Half Round - Smooth Cut



F127

Engineers File, Round - Coarse Cut



F128

Engineers File, Round - Second Cut



F129

Engineers File, Round - Smooth Cut



F160

Slapping File - Second Cut



F150

Flexible Body File Holder



F155

Flexible Body File



F156

Flexible Body File



P112

Hole Punch Set



S203

180° Straight Edge/Seaming Plier



S205

90° Edge/Seaming Plier



Product Brochure For T773

S200
Joggler & Punch Plier



P368
Automatic Centre Punch



P367
Centre Punch Set - 3 Piece



P365
Pin Punch Set - 6 Piece



P363
Cold Chisel Set - 3 Piece



P364
Punch & Cold Chisel Set - 14 Piece



N001
Nut & Blind Riveter Set - 130 Piece



P350
Letter Punches



P351
Number Punches



P354
Letter Punches



P355
Number Punches



W103
Engineers Chalk Marker- 50 Splits



Product Brochure For T773

D063
Sheet Metal Deburring Tool



D060
Deburring Tool - Telescopic Shaft



D065
Universal Deburring Tool Set - 23 Piece



D068
Pipe/Tube Deburring Tool - Internal / External



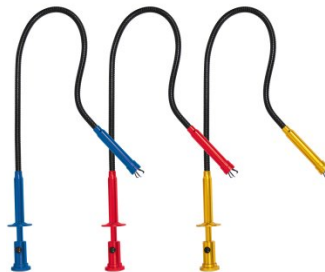
B900
Carbide Burr Double Cut Set - Short Series



B905
Carbide Burr Double Cut Set - Long Series



M0010
Pick Up Tool with Magnetic Head & 1 x LED Light



M0009
Magnetic Pick Up Tool & Inspection Mirror Set



L300
Magnetic Swarf Remover



P020
Hydraulic Chassis Punch Set



W112
Micro Welding Steel Clamp Set



W113
Butt Welding Aluminium & Steel Clamp Set



Product Brochure For T773

S077

Drilling, Tapping & Cutting Tool
Lubricant Spray - 400g



O043

Rust & Corrosion Preventive



O042

General Purpose Lubricant &
Corrosion Inhibitor



O044

Rust & Corrosion Preventive



P030

Bush Driver Set - 17 piece



P031

Bearing Race & Seal Driver Set
- 10 piece



P005

Ratcheting Gear Puller Set



P013

Puller Set with Slide Hammer



P011

Hydraulic Gear Puller Kit



A037

Air Tool Oil

