

Product Brochure For T767

6 Drawer - Industrial Tooling Cabinet - TC-800

723 x 653 x 800mm
100kg per Drawer

Ex GST
\$976.00

Inc GST
\$1,122.40



| | |
|-----------------------------------|-----------------|
| ORDER CODE: | T767 |
| MODEL: | TC-800 |
| Number of Drawers (No.): | 6 |
| Drawer Load Capacity (kg): | 100 |
| Maximum Total Load Capacity (kg): | 600 |
| Includes Backing Panel: | ~ |
| Dimensions (W x D x H) (mm): | 723 x 653 x 800 |
| Nett Weight (kg): | 102 |



Features

- Heavy duty tooling cabinets, ideal for industrial applications and serious workshops
- The sliding drawers are a welded strengthened single rail design coupled with high quality mechanical bearings for long lasting smooth operation
- Each drawer is rated at 100kg load capacity with 97% drawer access and a total of 600kg maximum load capacity
- Single Key lock design for safe storage. Each drawer has a mechanical safety lock which allows one drawer to be opened at a time, preventing the cabinet to tip over
- All top drawers include a series of different size plastic boxes for those small items, all other drawers come with adjustable steel dividers
- The optional steel frame backing panel with rubber protective base cover is great to rest tooling and precious parts on top of the cabinet

Includes

- Top Drawer - 75mm high with moveable plastic division boxes
- Drawer 2 - 75mm high with moveable steel dividers 4x3 layout
- Drawer 3 & 4 - 100mm high with moveable steel dividers 4x3 layout
- Drawer 5 - 150mm high with moveable steel dividers 4x3 layout
- Drawer 6 - 200mm high with moveable steel dividers 4x3 layout

Product Brochure For T767

Specific Features



Top Drawer with Plastic Buckets



Drawers with Steel Dividers



Plastic Bucket Drawers



Heavy Duty Drawers



Drawer Locking Mechanism



Drawer Lock Bracket



Drawer in Lock Position



Drawer in Unlock Position



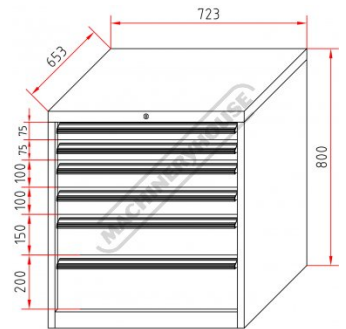
Heavy Duty Drawer Slides



Drawers with Safety Lock



Drawer Ball Bearing Arms



Diagram

Product Brochure For T767

Recommended Accessories

T768
6 Drawer - Industrial Mobile
Tooling Cabinet



K068
6 Drawer - Industrial Mobile
Tooling Cabinet with Backing
Panel Package Deal



T783
Steel Frame Backing Panel



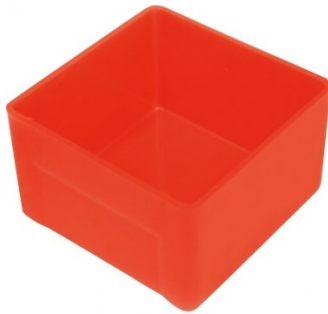
T779
Handle



T776
Wheel Kit - Ø125mm



A427
Plastic Bucket



A428
Plastic Bucket



A429
Plastic Bucket



Product Brochure For T767

T784
Steel Divider

T784A
Slotted Rail

T786
Steel Divider

T786A
Slotted Rail



T787
Steel Divider

T787A
Slotted Rail

T788
Steel Divider

T788A
Slotted Rail



T703
Magnetic Spray Can &
Screwdriver Holder

H820
Metric Hex Key Set with T-Bar
Handle

H821
Imperial Hex Key Set with T-Bar
Handle

H822
Torx® Key Set with T-Bar
Handle



Product Brochure For T767

D1272

Metric 135° Precision HSS Drill Set - 25 Piece



D1282

Imperial 135° Precision HSS Drill Set - 29 Piece



D1285

Metric 135° Precision HSS Drill Set - 51 Piece



D1071

HSS Sheet Metal Step Drill Set - 3 Piece



D1051

HSS Countersink Set (90° Cross Hole Type) - 4 Piece



D1061

HSS Countersink Set (90° 3 Flute Type) - 6 Piece



D508

HSS Industrial Centre Drill Set - 5Pcs



D070

Drill Sharpener



H880

Dead Blow, Nylon Face Hammer



H870

Soft Face Hammer



H875

Soft Face Hammer - 5 piece



H885

Auto Panel Restoration Kit - DIY



Product Brochure For T767

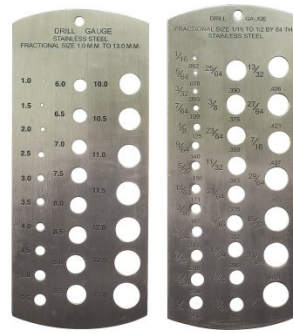
H886
Auto Panel Restoration Kit - Professional



H887
Auto Panel Restoration Kit - Master



M988
Metric & Imperial Drill Gauge



Q616
Feeler Gauge Set



T012
Metric Alloy Steel Tap & Die Set - 32 Piece



T013
Metric HSS Tap & Die Set - 32 Piece



T014
Metric Alloy Steel Tap & Die Set - 45 Piece



T015
Imperial Alloy Steel Tap & Die Set - 45 Piece



T016
Metric HSS Tap & Die Set - 45 Piece



T870
Screw Extractor Set - 10 piece Piece



T100
Metric Thread Repair Kit - 130 Piece



D108
Metric Carbide Tipped Hole Saw Set



Product Brochure For T767

D102
Metric HSS Hole Saw Set



F100
Engineers Files, 5 Piece Set -
Second Cut



F120
Engineers File, Flat - Coarse
Cut



F121
Engineers File, Flat - Second
Cut



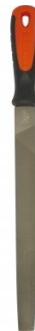
F122
Engineers File, Flat - Smooth
Cut



F124
Engineers File, Half Round -
Coarse Cut



F125
Engineers File, Half Round -
Second Cut



F126
Engineers File, Half Round -
Smooth Cut



F127
Engineers File, Round - Coarse
Cut



F128
Engineers File, Round - Second
Cut



F129
Engineers File, Round - Smooth
Cut



F160
Slapping File - Second Cut



Product Brochure For T767

F150
Flexible Body File Holder



F155
Flexible Body File



F156
Flexible Body File



P112
Hole Punch Set



S203
180° Straight Edge/Seaming Plier



S205
90° Edge/Seaming Plier



S200
Joggler & Punch Plier



P368
Automatic Centre Punch



P367
Centre Punch Set - 3 Piece



P365
Pin Punch Set - 6 Piece



P363
Cold Chisel Set - 3 Piece



P364
Punch & Cold Chisel Set - 14 Piece



Product Brochure For T767

N001
Nut & Blind Riveter Set - 130
Piece



P350
Letter Punches



P351
Number Punches



P354
Letter Punches



P355
Number Punches



W103
Engineers Chalk Marker- 50
Splits



D063
Sheet Metal Deburring Tool



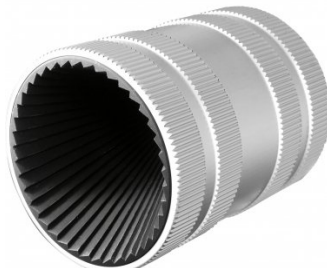
D060
Deburring Tool - Telescopic
Shaft



D065
Universal Deburring Tool Set -
23 Piece



D068
Pipe/Tube Deburring Tool -
Internal / External



B900
Carbide Burr Double Cut Set -
Short Series



B905
Carbide Burr Double Cut Set -
Long Series



Product Brochure For T767

M0010

Pick Up Tool with Magnetic Head & 1 x LED Light



M0009

Magnetic Pick Up Tool & Inspection Mirror Set



L300

Magnetic Swarf Remover



P020

Hydraulic Chassis Punch Set



W112

Micro Welding Steel Clamp Set



W113

Butt Welding Aluminium & Steel Clamp Set



S077

Drilling, Tapping & Cutting Tool Lubricant Spray - 400g



O043

Rust & Corrosion Preventive Lubricant Spray - 400g



O042

General Purpose Lubricant & Corrosion Inhibitor



O044

Rust & Corrosion Preventive Lubricant



P030

Bush Driver Set - 17 piece



P031

Bearing Race & Seal Driver Set - 10 piece



Product Brochure For T767

P005
Ratcheting Gear Puller Set



P013
Puller Set with Slide Hammer



P011
Hydraulic Gear Puller Kit



A037
Air Tool Oil

