

Product Brochure For T450

BT50 x ER40-100 Collet Chuck

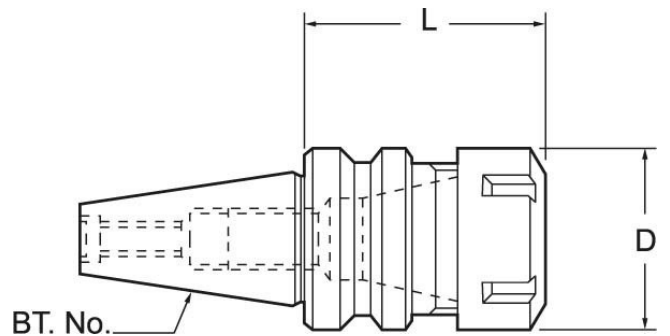
Ø3-Ø26mm Range
10,000rpm Speed Rating



On Sale

Ex GST	Inc GST
\$306.00	\$351.90
\$243.48	\$280.00

ORDER CODE:	T450
MODEL:	BT50 x ER40-100
Speed Rating (rpm):	10,000
Taper (BT):	BT50
Capacity (mm):	3 - 26
L (mm):	100
D (mm):	63
Collet Type (ER):	ER40
Nett Weight (kg):	5.0



Description

All BT collet chucks meet the specifications of machine tool builders (DIN 2080 taper Shank Grade AT-3 - 85% taper contact)

Features

- Precision ground
- All ER40 collet chucks are fitted with ball bearing nuts
- Manufactured to MAS403 BT50 standard
- M24 Pull Stud thread
- 100mm extension from the gauge line
- Locking spanner not included

Product Brochure For T450

Recommended Accessories

C969
ER40 Collet Chuck Wrench



C934
ER40 Collet



C957
ER40 Collet Set - 7 Piece



C958
ER40 Collet Set - 23 Piece



T445
Pull Stud



C118
Collet Nut - ER40 Ball Bearing Nut

