

Product Brochure For T332

BT30 x ER32-60 Collet Chuck

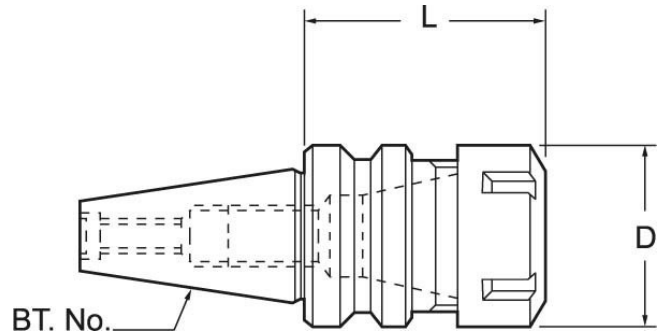
Ø2-Ø20mm Range
25,000rpm Speed Rating

On Sale

Ex GST	Inc GST
\$148.00	\$170.20
\$116.52	\$134.00



ORDER CODE:	T332
MODEL:	BT30 x ER32-60
Speed Rating (rpm):	25,000
Taper (BT):	BT30
Capacity (mm):	2 - 20
L (mm):	60
D (mm):	50
Collet Type (ER):	ER32
Nett Weight (kg):	0.8



Description

All BT collet chucks meet the specifications of machine tool builders (DIN 2080 taper Shank Grade AT-3 - 85% taper contact)

Features

- Precision ground
- Manufactured to MAS403BT30 standard
- M12 Pull Stud thread
- 60mm extension from the gauge line
- Locking spanner not included

Product Brochure For T332

Recommended Accessories

C932
ER32 Collet Chuck Wrench



C903
ER32 Collet



C921
ER32 Collet Set - 6 Piece



C922
ER32 Collet Set - 18 Piece



T330
Pull Stud



C117
Collet Nut ER32

