

Product Brochure For T2201

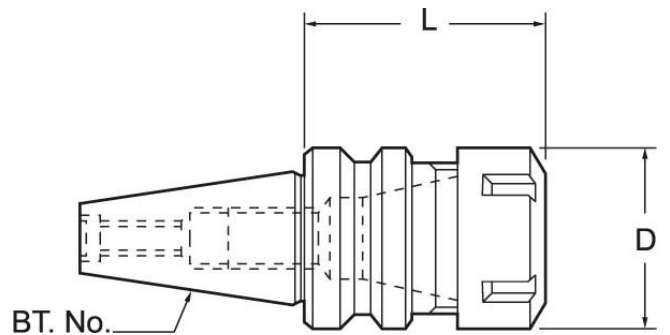
BT40 x ER32-70 Balanced Collet Chuck

Ø2-Ø20mm Range

15,000rpm Speed Rating



ORDER CODE:	T2201
MODEL:	BT40 x ER32-70
Speed Rating (rpm):	15,000
Taper (BT):	BT40
Capacity (mm):	2 - 20
L (mm):	70
D (mm):	50
Collet Type (ER):	ER32
Nett Weight (kg):	1.7



Description

All BT collet chucks meet the specifications of machine tool builders (DIN 2080 taper Shank Grade AT-3 - 85% taper contact)

Features

- Precision ground
- Manufactured to MAS403BT40 standard
- M16 Pull Stud thread
- 70mm extension from the gauge line
- Locking spanner not included

Product Brochure For T2201

Specific Features



Vertical View

Recommended Accessories

C903
ER32 Collet



C921
ER32 Collet Set - 6 Piece



C922
ER32 Collet Set - 18 Piece



C929A
Collet & Chuck Set - 20 Piece



T142
Pull Stud



T144
Pull Stud



T145
Pull Stud



C932
ER32 Collet Chuck Wrench



Product Brochure For T2201

C117
Collet Nut ER32

