

Product Brochure For T220

BT40 x ER32-70 Collet Chuck

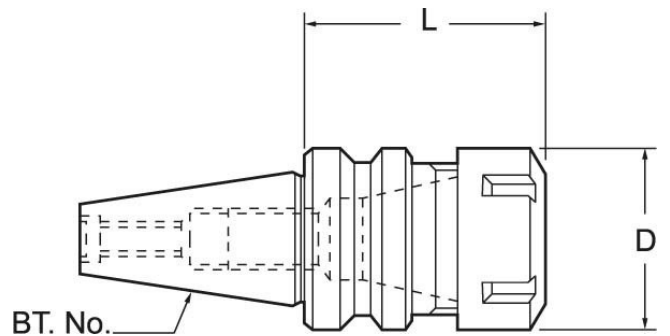
Ø2-Ø20mm Range
15,000rpm Speed Rating

On Sale

| Ex GST | Inc GST |
|-----------------|-----------------|
| \$122.00 | \$140.30 |
| \$97.39 | \$112.00 |



| | |
|---------------------|----------------|
| ORDER CODE: | T220 |
| MODEL: | BT40 x ER32-70 |
| Speed Rating (rpm): | 15,000 |
| Taper (BT): | BT40 |
| Capacity (mm): | 2 - 20 |
| L (mm): | 70 |
| D (mm): | 50 |
| Collet Type (ER): | ER32 |
| Nett Weight (kg): | 1.7 |



Description

All BT collet chucks meet the specifications of machine tool builders (DIN 2080 taper Shank Grade AT-3 - 85% taper contact)

Features

- Precision ground
- Manufactured to MAS403BT40 standard
- M16 Pull Stud thread
- 70mm extension from the gauge line
- Locking spanner not included

Product Brochure For T220

Recommended Accessories

C932
ER32 Collet Chuck Wrench



C903
ER32 Collet



C921
ER32 Collet Set - 6 Piece



C922
ER32 Collet Set - 18 Piece



C929A
Collet & Chuck Set - 20 Piece



T142
Pull Stud



T144
Pull Stud



T145
Pull Stud



Product Brochure For T220

C117
Collet Nut ER32

