

Product Brochure For T215

## BT40 x ER25-100 Collet Chuck

Ø2-Ø16mm Range  
15,000rpm Speed Rating

**On Sale - Back In Stock Soon**

Ex GST

Inc GST

**\$172.00**

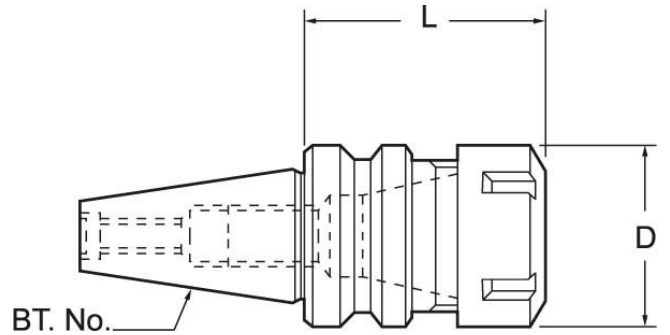
**\$197.80**

**\$136.52**

**\$157.00**



ORDER CODE:	T215
MODEL:	BT40 x ER25-100
Speed Rating (rpm):	15,000
Taper (BT):	BT40
Capacity (mm):	2 - 16
L (mm):	100
D (mm):	42
Collet Type (ER):	ER25
Nett Weight (kg):	1.7



### Description

All BT collet chucks meet the specifications of machine tool builders (DIN 2080 taper Shank Grade AT-3 - 85% taper contact)

### Features

- Precision ground
- Manufactured to MAS403BT40 standard
- M16 Pull Stud thread
- 100mm extension from the gauge line
- Locking spanner not included

Product Brochure For T215

---

**Recommended Accessories**

C861  
ER25 Collet Chuck Wrench

C855  
ER25 Collet

T142  
Pull Stud

T144  
Pull Stud



T145  
Pull Stud

