

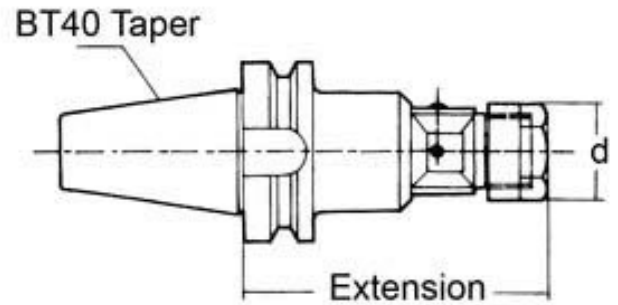
Product Brochure For T007

BT40 x ER32 Floating Tap Holder

M3-M25

Ex GST	Inc GST
\$404.00	\$464.60

ORDER CODE:	T007
Shank:	BT40
Collet (ER):	ER-32
Shank Length:	BT40
Extension (mm):	110 - 124
d (mm):	50
Capacity (mm):	M3 - M25
Nett Weight (kg):	2.4



Description

Manufactured from top quality SCM-12 alloy steel, hardened and precision ground. Ideal for all CNC lathes and machining centres
Designed to use standard ER-32 collets
Note - Spanner and Tap not supplied

Features

- Manufactured to MAS403BT40 standard
- Floating spring cushion for automatic position adjustment, avoiding damaged threads
- Square shank of tap is securely held by four grub screws to prevent twisting

Product Brochure For T007

Specific Features



Shown With Tap

Recommended Accessories

T142
Pull Stud

T144
Pull Stud

T145
Pull Stud

C932
ER32 Collet Chuck Wrench



C117
Collet Nut ER32

C921
ER32 Collet Set - 6 Piece

C922
ER32 Collet Set - 18 Piece

