

Product Brochure For T005

Reversible Tapping Chuck - Adjustable Clutch - T4-MT4

Include 3MT & 4MT Arbours

M8 - M20

On Sale

Ex GST

Inc GST

~~\$574.00~~

~~\$660.10~~

\$460.00

\$529.00



| | |
|--------------------------|----------|
| ORDER CODE: | T005 |
| MODEL: | T4-MT4 |
| Arbor Mount: | Threaded |
| Taper (MT): | 3 & 4 |
| Tapping Range (mm): | 8 - 20 |
| Tapping Shank Size (mm): | 6.3 - 14 |
| D (mm): | 90 |
| D1 (mm): | 38 |
| L (mm): | 195 |
| L1 (mm): | 134 |
| A (mm): | 62 |
| B (mm): | 20 |
| Nett Weight (kg): | 6.8 |



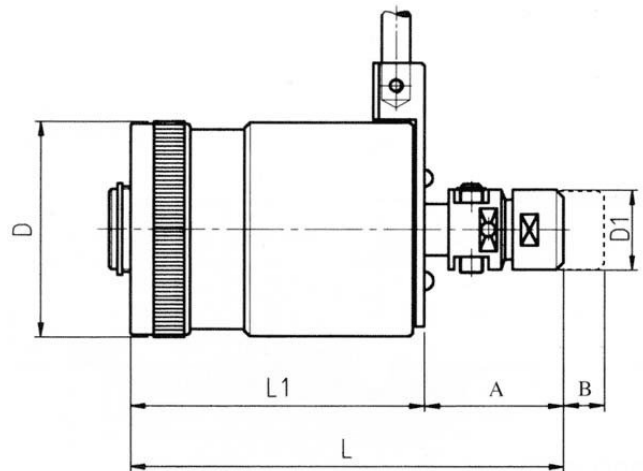
Features

- Pre-select torque drive to prevent tap breakage and allow for blind hole tapping
- Tension and compression feature compensates between rate of feed applied and thread pitch
- Suitable for right and left hand, vertical and horizontal tapping
- Fast tap reversal. Re-entry cushioning eliminates cross threading
- Clutch Torque Setting:
 - 1 - 12 Nm
 - 2 - 20 Nm
 - 3 - 60 Nm
 - 4 - 110 Nm

• Please Note: M20 tap requires a 14mm Shank

Includes

- MT3 & MT4 arbors - threaded end
- 2 x Collet chuck spanners
- 2 x Rubber flex collets
- 2 x allen keys



Product Brochure For T005

Specific Features



Full Kit



Blow Mold Case

Recommended Accessories

T012

Metric Alloy Steel Tap & Die Set
- 32 Piece



T013

Metric HSS Tap & Die Set - 32
Piece



T014

Metric Alloy Steel Tap & Die Set
- 45 Piece



T015

Imperial Alloy Steel Tap & Die
Set - 45 Piece



T016

Metric HSS Tap & Die Set - 45
Piece

