

Product Brochure For S9988

## 4000mm Sheet Metal Guillotine Blade Set - 6CrW2Si - GB-102.8020

1025 x 80 x 20mm

Top & Bottom Blade Set

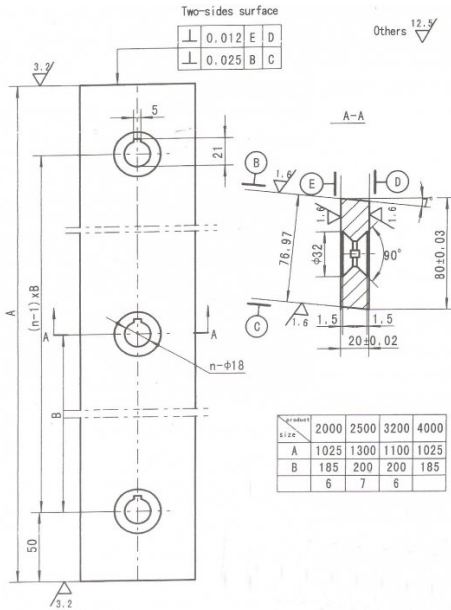
**Back In Stock Soon**

Ex GST

Inc GST

**\$4,576.00**

**\$5,262.40**



ORDER CODE:	S9988
MODEL:	GB-102.8020
Suits Guillotine Cut Length (mm):	4000
Blade Size (mm):	1025 x 80 x 20
Blade Material:	6CrW2Si
Top Blade Set:	4 Piece
Bottom Blade Set:	4 Piece

**METALMASTER**



### Description

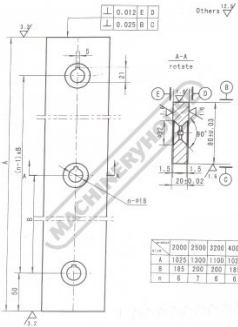
Blades made from 6CrW2Si material suitable for cutting stainless steel

### Includes

- Top & Bottom Blade Set

## Product Brochure For S9988

### Specific Features



Bottom Blade

### Recommended Accessories

#### S962

Hydraulic NC Guillotine -  
 Variable Rake

#### S962S

Hydraulic NC Guillotine -  
 Variable Rake

