

Product Brochure For S9987

## 3200mm Sheet Metal Guillotine Blade Set - 6CrW2Si - GB-110.8020

1100 x 80 x 20mm

Top & Bottom Blade Set

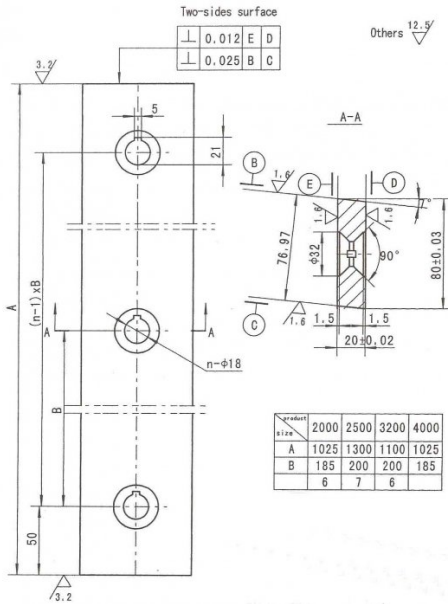
**Back In Stock Soon**

Ex GST

Inc GST

**\$3,526.00**

**\$4,054.90**



ORDER CODE:	S9987
MODEL:	GB-110.8020
Suits Guillotine Cut Length (mm):	3200
Blade Size (mm):	1100 x 80 x 20
Blade Material:	6CrW2Si
Top Blade Set:	3 Piece
Bottom Blade Set:	3 Piece

**METALMASTER**



### Description

Blades made from 6CrW2Si material suitable for cutting stainless steel

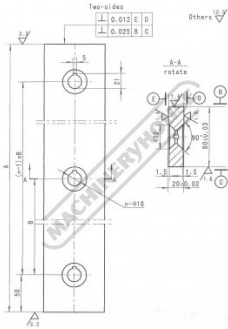
### Includes

- Top & Bottom Blade Set

## Product Brochure For S9987

---

### Specific Features



Bottom Blade

### Recommended Accessories

#### S960

Hydraulic NC Guillotine -  
Variable Rake

#### S960S

Hydraulic NC Guillotine -  
Variable Rake

