

Product Brochure For S9981

1320mm Sheet Metal Guillotine Blade Set - 9CrSi - GB-132.6020

1320 x 60 x 20mm

Top & Bottom Blade Set

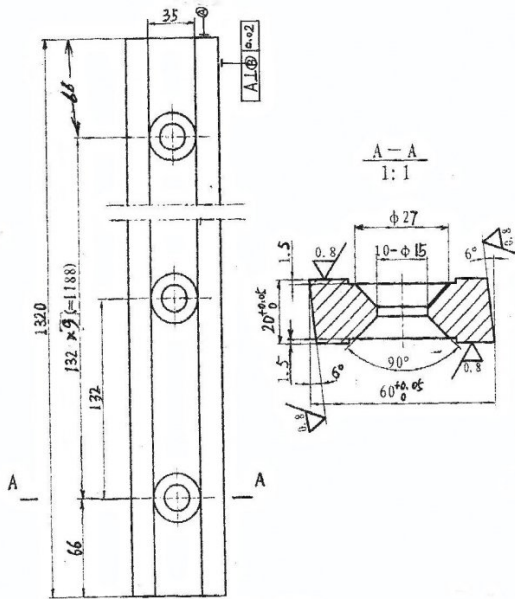
Ex GST

Inc GST

\$660.00

\$759.00

ORDER CODE:	S9981
MODEL:	GB-132.6020
Suits Guillotine Cut Length (mm):	1320
Blade Size (mm):	1320 x 60 x 20
Blade Material:	9CrSi
Top Blade Set:	1 Piece
Bottom Blade Set:	1 Piece



Description

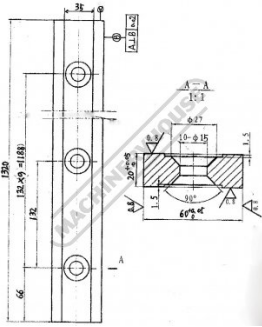
Blades made from 9CrSi material suitable for cutting stainless steel

Includes

- Top & Bottom Blade Set

Product Brochure For S9981

Specific Features



Bottom Blade

Recommended Accessories

S534A
Manual Treadle Guillotine

S535
Hydraulic Guillotine

S923
Hydraulic NC Guillotine

S924A
Mechanical Guillotine



S534S
Manual Treadle Guillotine with
Rear Safety Guard

