

Product Brochure For S996B

60mm Die Rail Pressbrake Tooling - DR60-3200

60mm Die Rail x 3200mm Length

Suits MetalMaster, Amada & European Pressbrakes

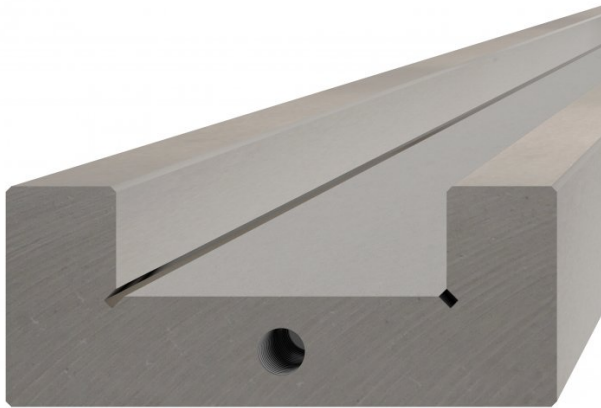
Back In Stock Soon

Ex GST

Inc GST

\$1,574.00

\$1,810.10



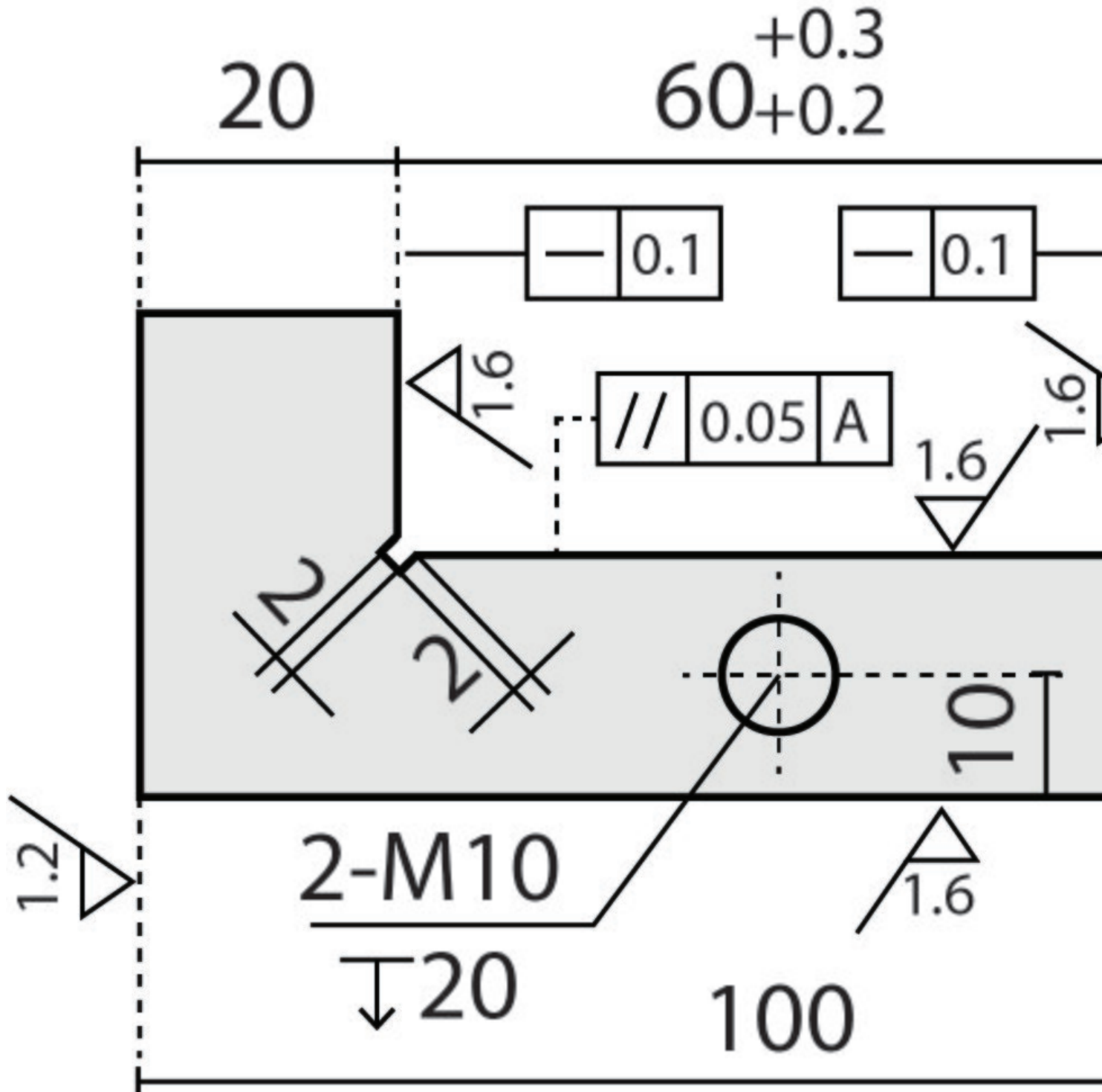
Order Code:	S996B
Model:	DR60-3200
Type:	Die Rail
Size (mm):	60 x 3200



Description

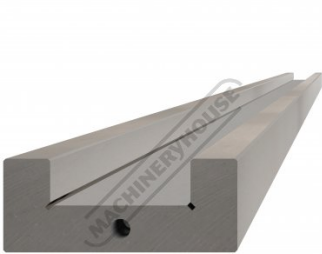
Die rail holder to suit S996A multi Vee die block

Product Brochure For S996B



Product Brochure For S996B

Specific Features



Full Length

Recommended Accessories

S996
15° Top Punch Pressbrake
Tooling

S996A
60mm Die Block Pressbrake
Tooling

S906GL
Hydraulic NC Pressbrake

S908GL
Hydraulic NC Pressbrake

