

Product Brochure For S993

95mm Die Block Pressbrake Tooling - DB95-3200

95mm Square x 3200mm Long

Suits MetalMaster, Amada & European Pressbrakes

Back In Stock Soon

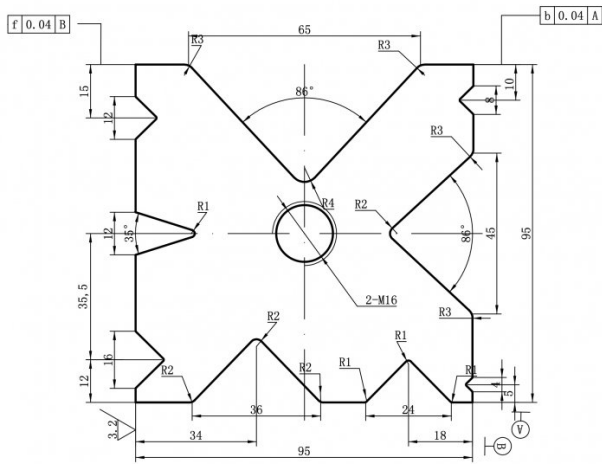
Ex GST

Inc GST

\$4,258.00

\$4,896.70

Order Code:	S993
Model:	DB95-3200
Type:	Die Block
Size (mm):	95 x 3200



THE ANGLE FOR VEE NOT MARKED IS 86°

