

Product Brochure For S9920S

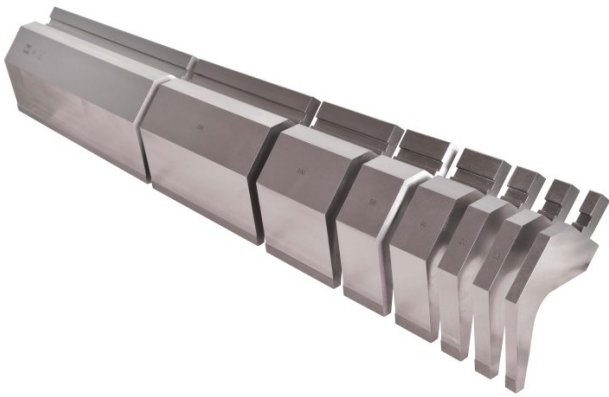
86° Top Punch Gooseneck Pressbrake Tooling - Segmented - TP86-150.800GS

150mm High x 800mm Long, Divided in Segments - 10, 15, 20, 40,
50, 100, 200, 365mm

Suits MetalMaster, Amada & European Pressbrakes

Ex GST	Inc GST
\$1,818.00	\$2,090.70

Order Code:	S9920S
Model:	TP86-150.800G
Type:	86° Top Punch Gooseneck - Segmented
Size (mm):	150 x 800



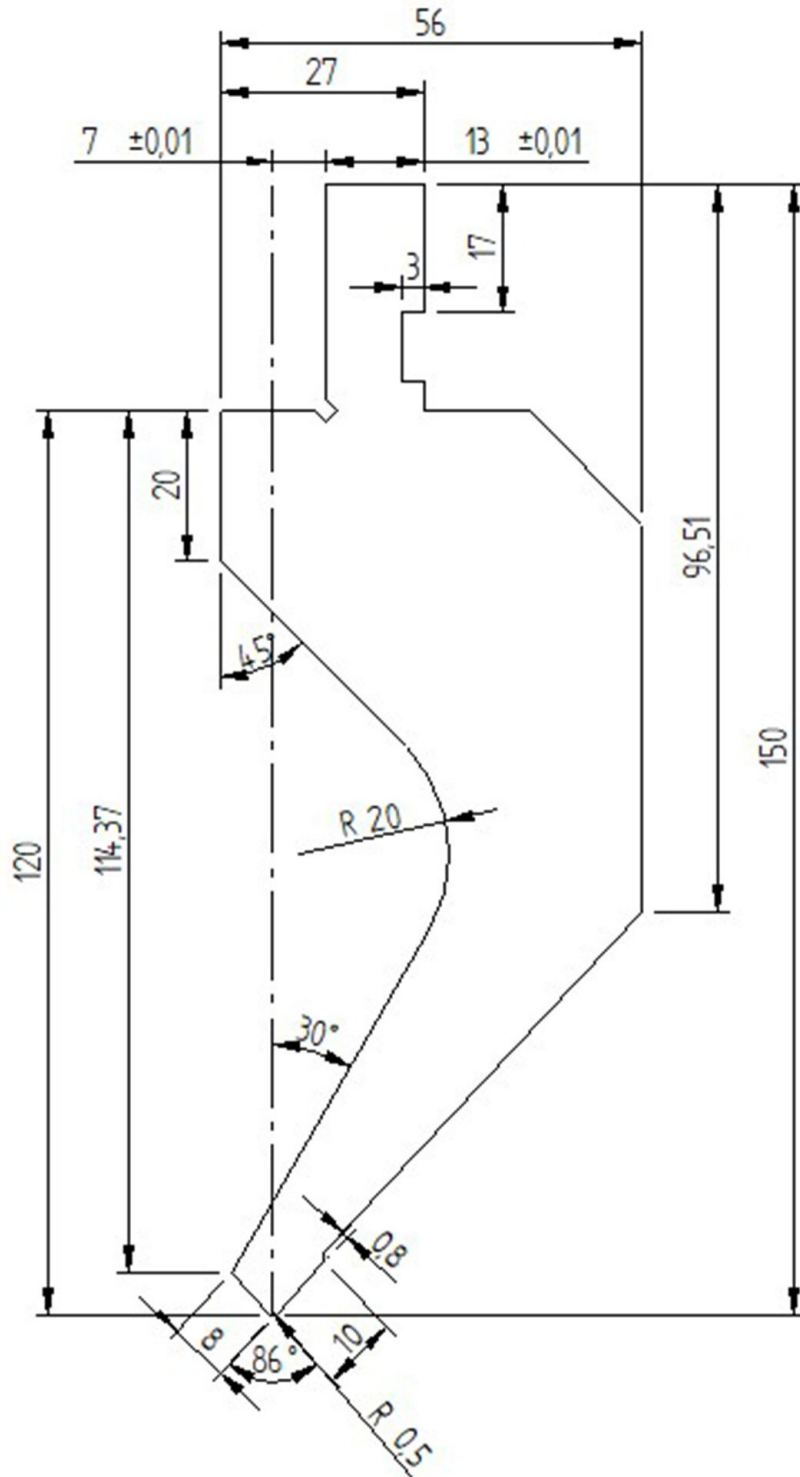
Description

Precision Pressbrake Gooseneck Punch made from chromium-molybdenum high strength steel and heat treated for long term durability.

Nose Angle - 86 Degrees
Nose Radius - 0.5mm
Total Height - 150mm
Shoulder height - 120mm
Max. Tonnage - 500kN/m
Length - 800mm divided into the following segments: 10, 15, 20, 40, 50, 100, 200, 365mm

Suits MetalMaster, Amada & European Pressbrakes

Product Brochure For S9920S



Product Brochure For S9920S

Specific Features



Full View

Measurements

Recommended Accessories

S905GL
Hydraulic NC Pressbrake

S906GL
Hydraulic NC Pressbrake

S908GL
Hydraulic NC Pressbrake

S909GL
Hydraulic NC Pressbrake



S910GL
Hydraulic NC Pressbrake

S912GL
Hydraulic NC Pressbrake

