

Product Brochure For S906GL

Hydraulic NC Pressbrake - PB-135B

135T x 3200mm - Includes Laser Safety Guarding
Estun NC-E21 Control 2-Axis with Ballscrew Backgauge



Ex GST **Inc GST**
\$48,740.00 **\$56,051.00**

ORDER CODE:	S906GL
MODEL:	PB-135B
Control Unit (Type):	Estun NC-E21
Nominal Pressure - Tonnage (Ton):	135
Nominal Pressure - Kilonewtons (kN):	1250
Length of Work Table (mm):	3200
Distance Between Columns (mm):	2650
Throat Depth (mm):	420
Maximum Open Height (mm):	390
Ram Stroke (mm):	130
Machine Axis (No.):	2
Safety Guarding System (Type):	Laser System
Backgauge Travel (mm):	520
Table Bed Crowning System (Type):	~
Motor Power (kW / hp):	7.5 / 10
Motor Voltage (V):	415
Floor Space Requirements (L x W x H) (mm):	~
Nett Weight (kg):	8600



Description

MetalMaster Quality Pressbrakes feature high durability, and provide precision bending capabilities. The Pressbrake main frames are constructed from rolled, stress relieved solid steel to prevent distortion during the bending process and under extreme continuous loads.

MetalMaster Pressbrakes are produced in a high volume production process and therefore are able to be manufactured cost effectively, resulting in an affordable price, representing value for money and quicker return on investment.

All electrical components are of European quality supplied by, Telemecanique, Merlin Gerin and ABB.

Features

- ESTUN E21 NC Controller
- Stores up to 40 programs with 25 bending steps per program
- Position control of Backgauge
- Backgauge retract function
- Bottom stroke dwell timer
- Work piece counting
- One-key backup / restore
- LCD Display
- LASER GUARDING -
- Laser guarding provides close proximity operator protection allowing faster bending cycles, promoting higher productivity
- The Laser system is compliant with requirements of EN61496-1, EN61496-2, ISO 13849-1 Plc, as well as AS/NZS 4024.1503
- Australian designed electrical system featuring dual channel monitoring on all essential machine functions
- Top beam speed & stopping performance are all real time monitored to ensure compliance with safety regulations
- METALMASTER Pressbrakes -
- Dual Hydraulic rams balanced by a heavy duty torsion bar, Electronically controlled by the E21 NC control assuring accuracy & repeatability.
- High performance side mount back gauge with linear guides & ballscrew provides fast and accurate positioning
- Segmented heavy duty 86° top punch
- European style punch holder with an adjustable wedge clamping system for crowning
- Multi vee ('V') bottom die is made from one solid 3200mm die block design to handle heavy plate, safety edge vee ('V') is incorporated in bottom die block.
- Sliding steel fabricated sheet supports enabling a wide range of material sizes to be aligned and supported at the correct required height.

Product Brochure For S906GL

This feature is achieved with a "T" slot machined down the total length of the die bed, sheet supports are also adjustable vertically to assist in supporting material with return bends already folded.

- Metal safety guarding surrounding the machine with rear sliding door fitted with micro switch ensuring operator safety.
 - Hydraulic pressure gauge with quick adjust pressure control & over pressure protection allows the operator to accurately set the pressure required for different material thickness.
 - The vertical supporting slides are treated to provide greater wear resistance and increased accuracy.
 - Reinforced side frames providing addition support strength to machine throat
 - Includes laser guarding system
 - Mild steel capacity is rated on hot rolled material with 250MPA
-
- Pre-Commissioning:
 1. Pressbrake is run & tested prior delivery
 2. Hydraulic oil is included with machine

Includes

- ESTUN NC- E21 control mounted on a swivel pendant for optimal ergonomics
- LED superior bright work lights provides clearer view to workpiece
- Sliding front sheet support arms
- Mobile dual operation foot control
- 86 Degree Top Punch with Segments (3x800, 1x365, 1x200, 1x100, 1x50, 1x40, 1x20, 1x15, 1x10)
- Top tooling tool intermediate holder system with wedge type adjustment
- Multi V bottom die block 95 x 95mm with a range of V's between 4mm~65mm
- Premium side mount linear way ballscrew backgauge with 520mm travel
- Metal constructed safety guarding surrounding machine

GL Model: Laser guarding safety

- 1. Laser guarding provides close proximity protection allowing faster bending cycles higher productivity.**
- 2. The Laser system is compliant with requirements EN61496-1, EN61496-2, ISO 13849-1 PL3 AS/NZS 4024.1503**
- 3. Australian designed electrical system for channel monitoring on all essential machines**
- 4. Top beam speed & stopping performance monitored to ensure compliance with safety standards**

Product Brochure For S906GL

Specific Features



Enclosed Rear Safety Guarding



NC Estun E21 Controller



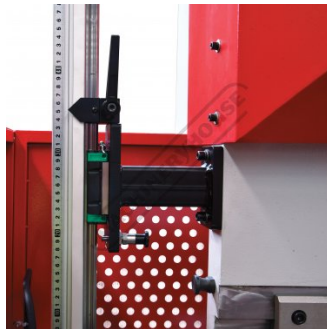
NC Estun E21



Right Laser



Left Laser



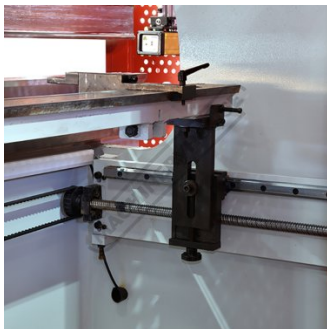
Laser Alignment Guide



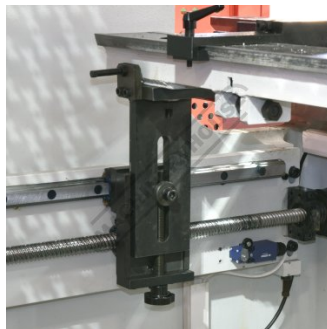
Adjustable Travel Limit Control



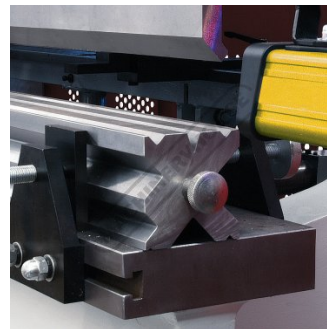
Adjustable Sliding Front Sheet Supports



LM Guide Ballscrew Backgauge



LM Guide Ballscrew Backgauge



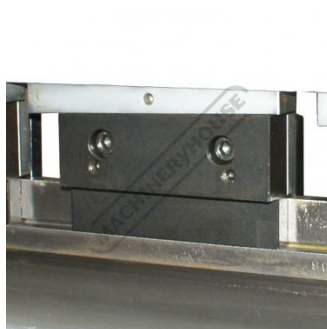
Top-Bottom Tooling



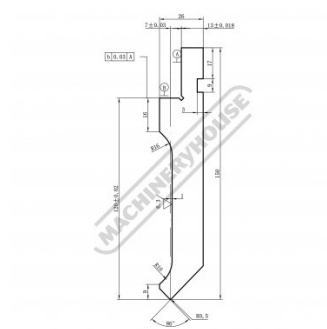
Laser Guarding system In Use



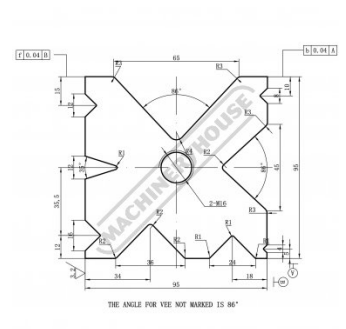
Intermediate Clamps



Adjustable Top Tool Taper Wedge System



Segmented Top Punch



One Piece 4 Sided Die

Product Brochure For S906GL



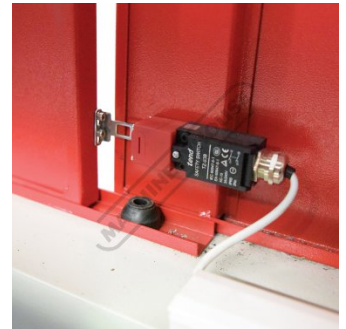
Heavy duty Torsion Bar



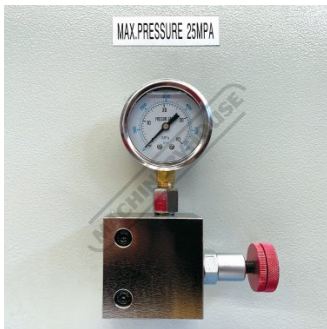
Mobile Foot Control



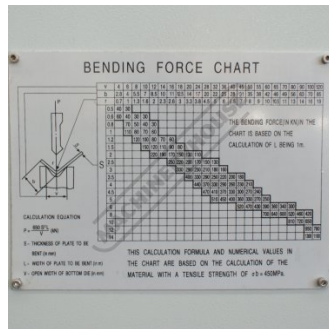
Mobile Foot Control Top Buttons



Rear Doors Safety Micro Switch



Adjustable Pressure Control



Tonnage Calculation Chart

Recommended Accessories

S988
Quick Action Intermediate
Clamps



S991S
86° Top Punch Pressbrake
Tooling - Segmented



S991
86° Top Punch Pressbrake
Tooling



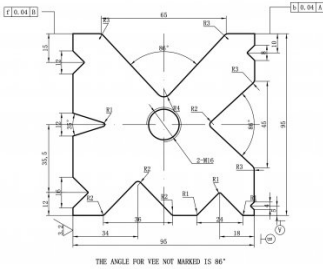
S991F
86° Top Punch Pressbrake
Tooling



Product Brochure For S906GL

S993

95mm Die Block Pressbrake Tooling



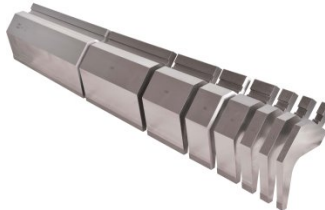
S9920

86° Top Punch Gooseneck Pressbrake Tooling



S9920S

86° Top Punch Gooseneck Pressbrake Tooling - Segmented



S990S

35° Top Punch Pressbrake Tooling - Segmented



S990

35° Top Punch Pressbrake Tooling



S990F

35° Top Punch Pressbrake Tooling



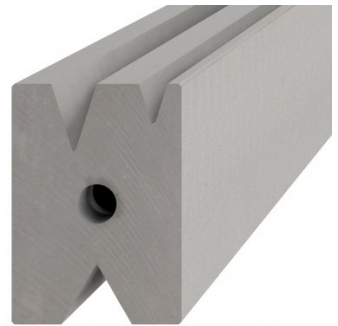
S996

15° Top Punch Pressbrake Tooling



S996A

60mm Die Block Pressbrake Tooling



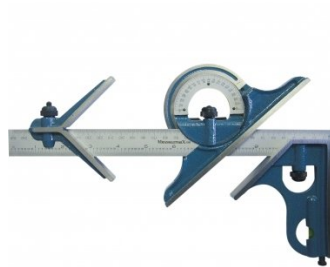
S996B

60mm Die Rail Pressbrake Tooling



Q200

Combination Set



Q200A

Combination Set



Q201

Universal Bevel Protractor



Product Brochure For S906GL

Q2105
Digital Height Gauge



M970
Digital Angle Rule



M972
Digital Angle Rule



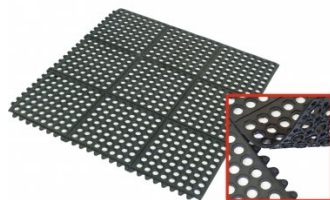
M974
Digital Angle Rule



M800
Rubber Mat - Anti-Fatigue



M805
Rubber Mat - Anti-Fatigue



O043
Rust & Corrosion Preventive



O042
General Purpose Lubricant & Corrosion Inhibitor



O044
Rust & Corrosion Preventive

