

## Product Brochure For S634

# MBR-1070XT - Bead Roller - Motorised Variable Speed

1.2mm Mild Steel Thickness Capacity & 1070mm Throat Depth

Includes 12 Sets of Hardened Rolls

**Back In Stock Soon**

Ex GST

Inc GST

**\$2,128.00**

**\$2,447.20**



ORDER CODE:	S634
MODEL:	MBR-1070XT
Machine (Type):	Bead Roller - Motrised
Mild Steel - Thickness Capacity (mm / Gauge):	1.2 / 18
Aluminium - Thickness Capacity (mm / Gauge):	1.6 / 16
Throat Depth Maximum (mm):	1070
Throat Height (mm):	105
Roll Diameter (mm):	70
Output Drive Speed (rpm):	0 - 18
Motor Power (kW / hp):	0.25 / 0.33
Voltage / Amperage (V / amp):	240 / 10
Nett Weight (kg):	150

**METALMASTER**



## Description

The MBR-1070XT motorised bead roller is much easier to use compared to manual machines to having your panels beaded in your home workshop or garage. Made from heavy plate steel and a now with a massive 1070mm throat depth making it perfect for strengthening any type of car roof, body panels, seals & guards etc.

This bead roller is electrically gear driven via a forward & reverse foot control switch that drives both the bottom and top bead rolls. The drive shafts are supported in quality bronze bearing bushes and incorporate with thrust ball bearings for additional support & accuracy.

The MBR-1070XT also includes a stand that also stores the twelve sets of the most common rolls required by any metal forming automotive enthusiasts or professional.

## Features

- New quick release mechanism on the top shaft
- 1.2mm mild steel capacity with 1070mm throat
- Variable speed dial for superior control on all applications
- Forward / reverse foot pedal switches with emergency stop
- Ø70mm hardened & keyed rollers for positive drive
- 105mm gap height between roller support arms
- Allows clearance of up to 80mm on 90° return bends
- Heavy duty steel plate construction for increased rigidity
- Top & bottom roller shafts are geared & electrically driven
- Adjustable top roller with 38mm of vertical travel
- Top shaft adjusts horizontally to easily & accurately align dies
- Ø25mm drive shafts with grease-able bronze bushes, Ø20mm spigot for mounting rollers
- Adjustable material depth guide
- 0.25kW / 0.33hp, 240V variable speed motor with reduction gearbox
- Fitted with two rear wheels to allow easy mobility
- Includes a comprehensive range of rolls supplied as standard

## Includes

- 12 sets of hardened rolls (Ø20mm Bore):
- 5/32" (4mm) beading dies
- 1/4" (6.35mm) beading dies

## Product Brochure For S634

- 3/8" (9.5mm) beading dies
- 15/32" (12mm) beading dies
- 19/32" (15mm) beading dies
- 1/16" (1.6mm) flanging dies
- 1/8" (3mm) flanging dies
- 1/4" (6.35mm) flanging dies
- 3/8" (9.5mm) flanging dies
- Ogee beading dies
- Wiring dies
- Shearing dies

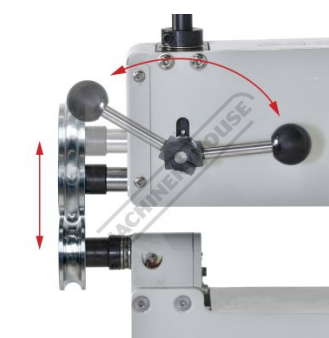
### Specific Features



Adjustable Depth Gauge



Adjustable Top Roller



Quick Release Lever



Upper Mandrel Adjustment Handle



Gear Top and Bottom Driven Shafts



Mandrel Lock Lever



Speed Control and On Off Safety Switch



Die Rack Holder



Mobile Base



Forward & Reverse Operated Foot Control



Emergency Stop



Included Die Sets

Product Brochure For S634



Front View



Side View



Left View



5/32" Beading Dies



1/4" Beading Dies



3/8" Beading Dies



15/32" Beading Dies



19/32" Beading Dies



1/16" Flanging Dies



1/8" Flanging Dies



1/4" Flanging Dies



3/8" Flanging Dies



Ogee Beading Dies



Wiring Dies



Shearing Dies

Product Brochure For S634

**Recommended Accessories**

S6338  
Steel Support Work Table

S6331  
Forming Bead Roller Kit

S6337  
Hem Bead Roller Sets

S6332  
Radius Bead Roller Sets



S6333  
Louvre Bead Roller Set

S6334  
Tipping Bead Roller Set

S6341  
Nylon Artwork Bead Roller Set

S6342  
Steel Artwork Bead Roller Set



## Product Brochure For S634

---

**S6335**  
Blank Bead Roller Sets

**S6336**  
Mandrel Roller Holder

