

Product Brochure For S272

Manual Sheet Metal Curving Rolls - SRG-50G

1270 x 1.5mm Mild Steel Capacity

3:1 Gear Drive Reduction Ratio, Includes Wiring Grooves & Quick Action Swivel Out Top Roller

Ex GST	Inc GST
\$1,818.00	\$2,090.70



ORDER CODE:	S272
MODEL:	SRG-50G
Useful Length (mm):	1270
Capacity - Mild Steel (mm):	1.5
Minimum Rolling Diameter (mm):	110
Roll Diameter (mm):	75
Wire Groove Rolls (mm):	~
Includes Stand (No / Yes):	Yes
Nett Weight (kg):	298



Description

This New SRG-50G now features a "Gearbox Reduction Drive System" that requires much less manual effort when rolling 1.5mm sheet metal than other rolls in the market place.

Another great feature is includes large aluminium hand dials for material thickness adjustment & curving roller adjustment for really easy & user friendly operation.

Features

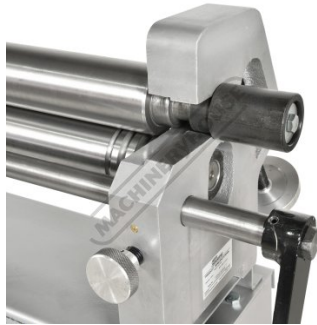
- "NO BULL CAPACITY" - Australian Tested & Rated To True Working Capacity
- 3:1 gear drive reduction ratio curving rolls
- Knurled aluminium hand dials for easy material thickness adjustment
- Large aluminium hand dials for easy curving adjustment
- Cast-iron roller support ends
- 75mm Ground rolls with wiring grooves
- Quick action swivel top roller
- Includes stand
- Mild steel capacity is rated on hot rolled material with 250MPA

Product Brochure For S272

Specific Features



Left View



Top Roll In Position



Removable top Roll



Rear Roll Height Adjustment And Roll Grooves



Geared Drive