

Product Brochure For S251

1220mm Manual Panbrake - PB-1220H

1220 x 1.2mm Mild Steel Bending Capacity
Removable Individual Bending Fingers

Ex GST	Inc GST
\$1,330.00	\$1,529.50

ORDER CODE:	S251
MODEL:	PB-1220H
Bending Capacity - Mild Steel (mm):	1.2
Material Length Capacity (mm):	1220
Floor Space (L x W x H) (mm):	~
Nett Weight (kg):	160



Description

Our new floor mounted manual panbrake now features upgraded features making this model even more versatile.

We have upgraded the bending pivot point to include greaseable self-aligning bearings for a smoother more accurate bends, we have designed the bending apron to now be adjustable in height allowing you to easily bend to different radii with simple adjustments. We have made this machine more robust by increasing the material in the body with the total nett weight of 160kg, this helps to minimise flex in the body during bending. The top clamping bar position can also be adjusted to suit your chosen material, you can adjust the clamping pressure as well as the clamping bar position to ensure you get the bend angle with the right radius.

If you are looking for a superior floor mounted panbrake with extra features over the competition this machine is for you.

Features

- Greaseable self-aligning bearings on bending pivot point for smoother operation
- Heavy steel fabricated construction, 160kg nett weight
- Cam operated adjustment for the top clamping bar to suit differing materials thicknesses
- Height adjustable bending apron for bend radius adjustment
- Adjustable clamping pressure to prevent distortion during bending
- Segmented fingers which include 5pcs of 102mm, 6pcs of 77mm & 5pcs of 50mm for bending of pans or boxes
- Single handed clamping operation
- Bending angle range from 0 – 135°
- Mild steel capacity is rated on hot rolled material with 250MPA

Product Brochure For S251

Specific Features



Material Clamp Blade Up



Rear Left View 2



Rear Left View



Rear View



Left View



Front View



Shown with Material Clamp Blade Up



Material Clamp Blade Lever Down



Material Clamp Blade Lever Up



Lower Bending Leaf Height Adjustment



Removable Fingers Action Hex Key



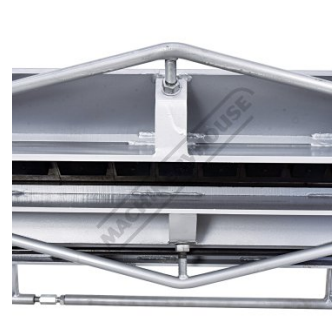
Removable Fingers for Bending Pans or Boxes



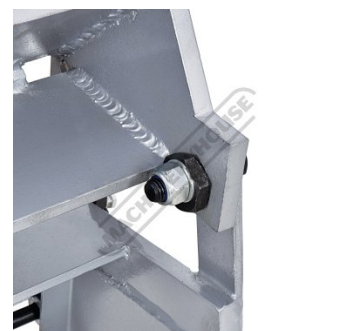
Removable Lower Bending Support Angle



Crown Adjustment Rod



Crown Adjustment Rear View CloseUp



Clamp Leaf Setback Adjustment

Product Brochure For S251



Counter Weight



Lubrication Points Right Side



Lubrication Points Left Side



Action Shot

Recommended Accessories

M977
Digital Bevel Box

