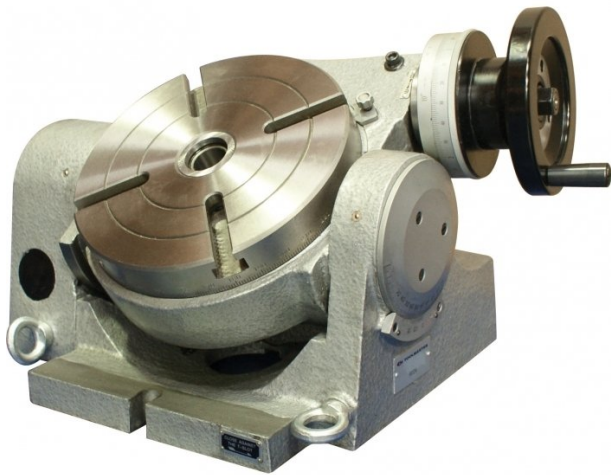


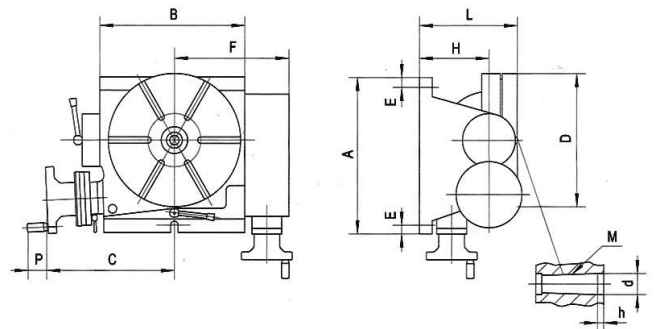
Product Brochure For R026

Tilting Rotary Table - TRT-8

Ø200mm



ORDER CODE:	R026
MODEL:	TRT-8
Size (mm):	200
A (mm):	296
B (mm):	213
C (mm):	186
D (mm):	Ø200
E (mm):	14
F (mm):	175.5
H (mm):	120
L (mm):	180
M (MT):	MT3
P (mm):	40
d (lowercase) (mm):	Ø30
h (lowercase) (mm):	6
T-Slot Size (mm):	12
Worm Ratio:	90:1



Features

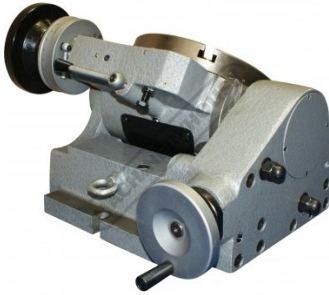
- An accurately designed rotary table for milling, boring and other machining operations
- The table allows for indexing, and other operations to be carried out rapidly with precision
- Low profile design minimises machine capacity losses without sacrificing work load capacity
- Tilting range from 0 - 90 degrees from the horizontal to vertical position and locked
- T-slots are machine to accept standard tee nuts
- One spindle rotation of the handle is equal to 3 degrees
- Accuracy of the tilting operation is 2 minutes
- 10 second vernier scale on table
- Table dial graduations 1 minute
- Worm ratio is 90:1
- Includes dividing plates

Optional Accessories

- Optional tailstock to suit CODE: R014

Product Brochure For R026

Specific Features



Rear View

Recommended Accessories

R014
Vertex Tailstock

C085A
Clamp Kit Tee Nuts

C0955
Clamp Kit 58 piece - Workshop Series

