

Product Brochure For Q8543

MX-600-1500/5U - 1500mm Digital Readout Scale

MX-600 Standard Scale
5µm Resolution

On Sale

Ex GST

~~\$386.00~~

\$327.83

Inc GST

~~\$443.90~~

\$377.00



ORDER CODE:	Q8543
MODEL:	MX-600
Type:	Linear Scale
Travel - Maximum (mm):	1500
Overall Length (L) (mm):	1670
Scale Resolution (µm):	5µm (0.005mm)
Grating Pitch:	20µm (0.02mm)
Accuracy (µm):	±0.005mm?±0.01mm/M
Output Signal:	5V TTL
Connector:	9 pin D-Sub
Cable Length (Metre):	3m metal conduit
Working Temperature (°C):	-10?—60?
Sealing Protection Class:	Class: IP54
Maximum Speed (M/min):	60M/Min
Reference Point:	Every 50mm
Width x Height (W x H) (mm):	~
Backing Support Plate (Yes / No):	Yes



Description

The Measumax MX-300 & MX-600 series linear scales are available in measuring lengths from 370 to 3000mm. With a 5µm resolution and a response speed of 60m/min these scales deliver 100% accuracy.

Features

- NSK Japanese, five bearing sliding structure for a smooth and accurate movement along the length of the scale
- Glass scale with 5µm resolution
- Scale body made from extruded Aluminium with wiper seals providing IP54 protection
- MX-600 series 30 x 45mm (W x H) section
- 3m connection cable with 9 pin D-Sub connector

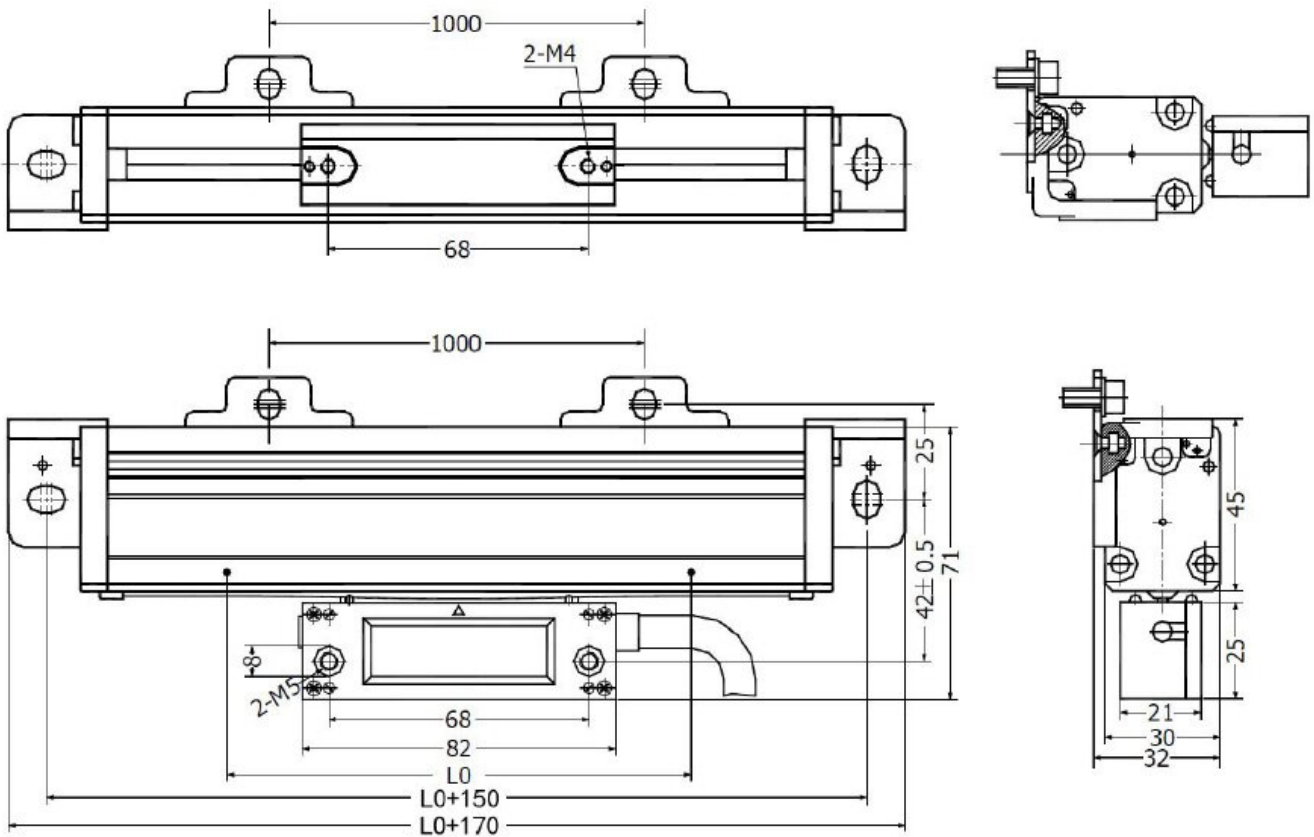
Includes

- 1500mm Linear scale
- Scale cover
- 1 x Angle 'A2' Bracket Slotted and Tapped (40x130x10mm x 80mm wide)
- 1 x Flat 'C2' Bracket Slotted and Tapped (80x130x10mm)
- Screws and washers

Product Brochure For Q8543

MeasumaX MX

MX-600 Series - LINEAR SCALES



L0 = Effective measuring length of scale

Product Brochure For Q8543

Specific Features



Scale Covers



Mounting Bracket

Recommended Accessories

Q8500

3-Axis Digital Readout

