

Product Brochure For Q8538

# 1020mm Digital Readout Scale - MX-300-1020/5U

MX-300 Standard Scale  
5µm Resolution

**Ex GST**  
**\$244.00**

**Inc GST**  
**\$280.60**



ORDER CODE:	Q8538
MODEL:	MX-300
Type:	Linear Scale
Travel - Maximum (mm):	1020
Overall Length (L) (mm):	1126
Scale Resolution (µm):	5µm (0.005mm)
Grating Pitch:	20µm (0.02mm)
Accuracy (µm):	±0.005mm?±0.01mm/M
Output Signal:	5V TTL
Connector:	9 pin D-Sub
Cable Length (Metre):	3m metal conduit
Working Temperature (°C):	-10?—60?
Sealing Protection Class:	Class: IP54
Maximum Speed (M/min):	60M/Min
Reference Point:	Every 50mm
Width x Height (W x H) (mm):	~
Backing Support Plate (Yes / No):	Yes



## Description

The Measumax MX-300 & MX-600 series linear scales are available in measuring lengths from 370 to 3000mm. With a 5µm resolution and a response speed of 60m/min these scales deliver 100% accuracy.

## Features

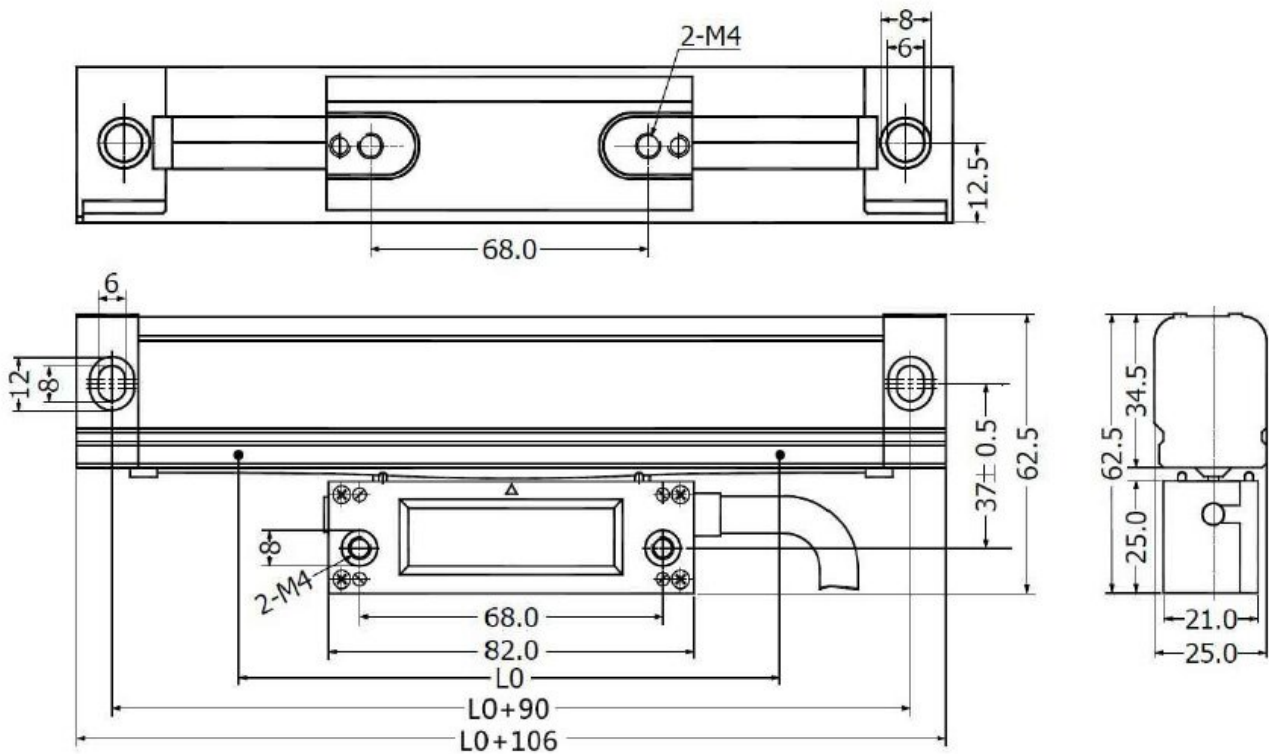
- NSK Japanese, five bearing sliding structure for a smooth and accurate movement along the length of the scale
- Glass scale with 5µm resolution
- Scale body made from extruded Aluminium with wiper seals providing IP54 protection
- MX-300 series 15 x 34.5mm (W x H) section
- 3m connection cable with 9 pin D-Sub connector

## Includes

- 1020mm Linear scale
- Scale cover
- 1 x Angle 'B2' Bracket Slotted and Tapped (40x50x8mm x 80mm wide)
- 1 x Flat 'D2' Bracket Slotted and Tapped (70x80x10mm)
- Screws and washers

Product Brochure For Q8538

## MeasumaX MX MX-300 Series - LINEAR SCALES



L0 = Effective measuring length of scale

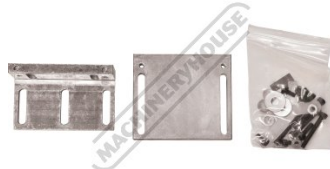
## Product Brochure For Q8538

---

### Specific Features



Scale Covers



Mounting Bracket

### Recommended Accessories

Q8500  
3-Axis Digital Readout

D709  
Easson Scales - Extension  
Cable

D710  
Easson Scales - Extension  
Cable

