

Product Brochure For Q675

**Micrometer Stand - 38-675**

0-100mm

**On Sale**

Ex GST

~~\$44.00~~

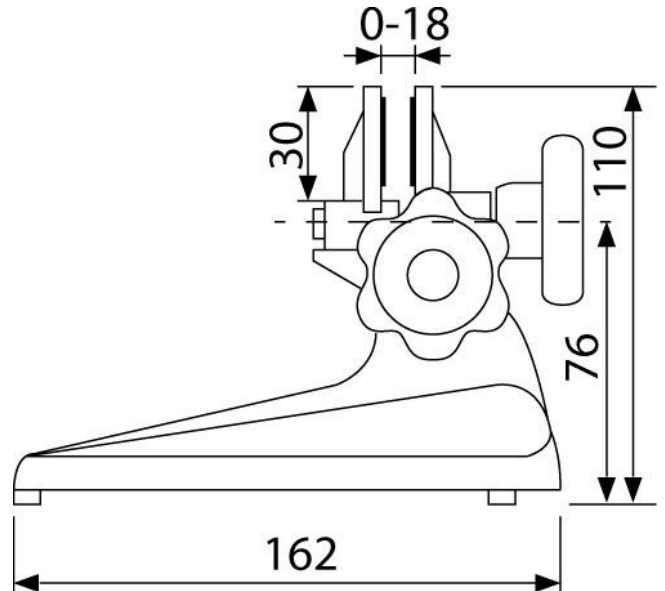
**\$35.65**

Inc GST

~~\$50.60~~

**\$41.00**

ORDER CODE:	Q675
Type:	Micrometer Stand
Range (mm):	100
Nett Weight (kg):	1.2



**Features**

- Micrometer stand to suit micrometers up to 100mm
- Cast iron construction for rigidity
- Clamps are made of die-casting aluminium
- Rubber pads on clamps to protect instruments
- Rubber foot pads to reduce slipping
- Ideal when checking multiple items and setting the micrometer

Product Brochure For Q675

---

**Specific Features**



Front Angle View



Rear View



Front View



Rubber Foot Pads



Shown with Optional Micrometer in Clamped Position



Shown with Optional Micrometer in Clamp Position