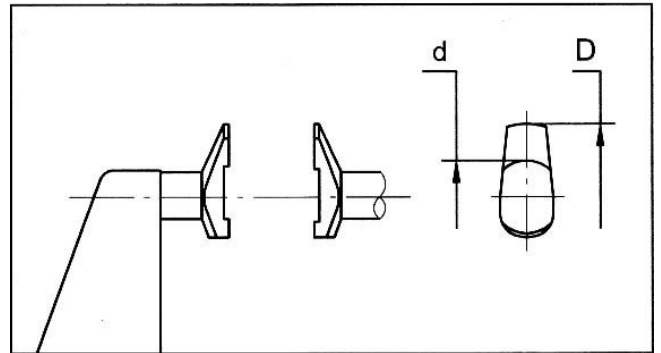


## Product Brochure For Q5013

**Micrometers - Jaw Type - 45-5013**

50-75mm

ORDER CODE:	Q5013
Range (mm):	50 - 75
Accuracy (mm):	0.005
d (lowercase) (mm):	∅8
D (Radius) (mm):	10

**Description**

The Measumax Jaw Type Micrometer is specially designed for measuring gear tooth dimensions and hard to reach recesses and grooves

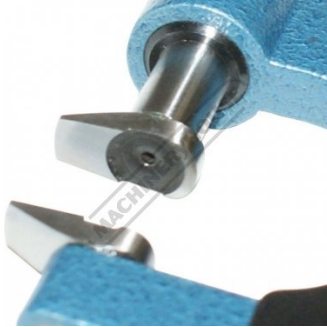
**Features**

- Non Rotating spindle
- Ratchet thimble
- Painted frame
- Resolution 0.01mm

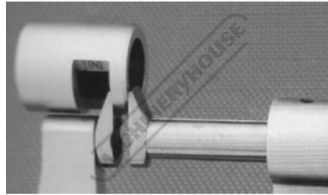
Product Brochure For Q5013

---

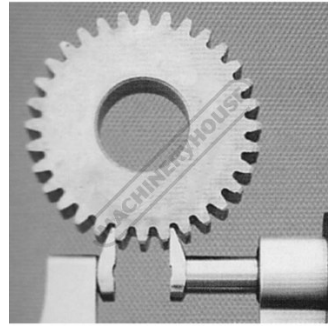
**Specific Features**



Anvils



Shown Measuring



Shown Measuring