

Product Brochure For Q244

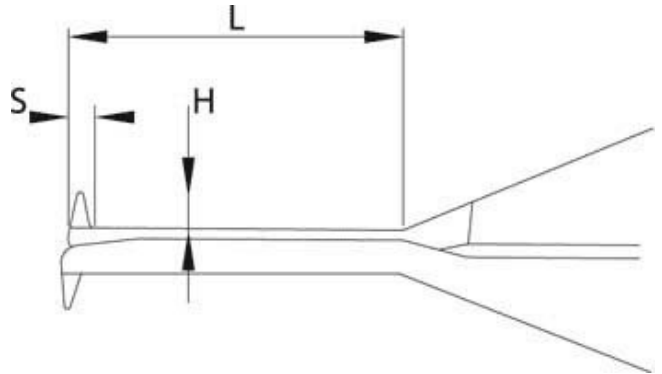
Inside Caliper Gauge - 33-244

10-30mm/0.4-1.2"

On Sale

Ex GST	Inc GST
\$392.00	\$450.80
\$312.17	\$359.00

ORDER CODE:	Q244
Range:	10 - 30mm / 0.4 - 1.2"
Graduations:	0.01mm / 0.0005"
L (mm):	55
S (mm):	2
H (mm):	3.5



Description

Electronic inside caliper gauges are suited to measuring bores, internal grooves and other hard to reach internal dimensions

Features

- Digital and analogue display on LCD
- Function include Power, Absolute & Incremental
- Metric/Imperial conversion
- Remembers the data of Max. and Min or hold data
- Direct RS232 Output (Uses cable 40-401)
- Auto power off
- Accuracy 0.03mm
- Tolerance set

Includes

- Includes CR2032 battery

Product Brochure For Q244

Specific Features



Insert