

Product Brochure For Q222

Dial Indicator - 34-222

0-1mm

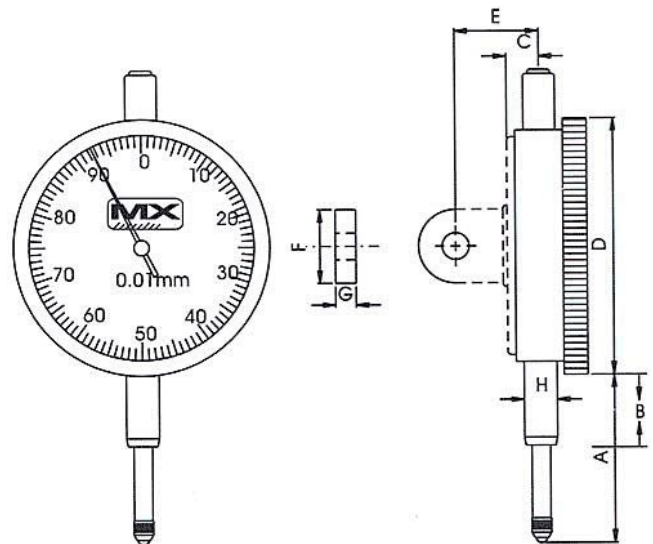
Micron (Din Accuracy)



Features

- Smooth 10 jewel movement
- In-out tolerance marker
- Dial reads 1 μ m
- Flat glass
- Protected top spindle extension
- Back plate lug
- Metal bezel
- Peach shape body
- Supplied in foam lined plastic case with test reports

ORDER CODE:	Q222
Range (mm):	0 - 1
Graduations (mm):	0.001
A (mm):	32.5
B (mm):	21.5
C (mm):	8
D (mm):	57
E (mm):	19
F (mm):	17
G (mm):	6.35
H (mm):	8



Product Brochure For Q222

Recommended Accessories

Q2165
Ø10mm Flat Contact for Dial Indicators



Q2167
Contact Point for Dial Indicators



M050
Magnetic Base - Standard



M051
Magnetic Base - Deluxe - One Lock



Q430
Magnetic Base - Small



Q435
Magnetic Base - Large



Q4351
Magnetic Base - Large



Q436
Magnetic Base - One Lock (Large)

