

Product Brochure For Q218

## Dial Test Indicator - Metric - 34-218

Gradient of 12 degrees On Dial Face

±1.6mm Travel



**On Sale**

Ex GST

~~\$220.00~~

**\$175.65**

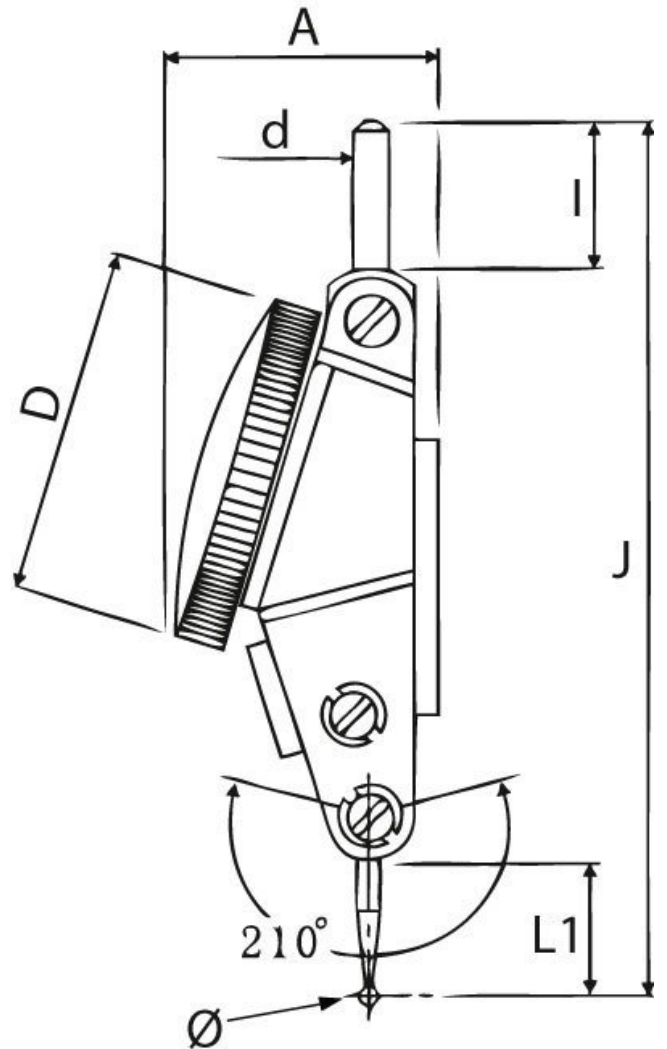
Inc GST

~~\$253.00~~

**\$202.00**

ORDER CODE:	Q218
Range:	±1.6mm
Graduations:	0.01mm
A (mm):	31.2
B (mm):	~
B1 (mm):	~
C (mm):	~
D (mm):	Ø38
d (mm):	4 / 8
E (mm):	~
F (mm):	~
G (mm):	~
H (mm):	~
I (mm):	16.5
J:	99
K (mm):	~
L (mm):	~
L1 (mm):	19
Ø (mm):	2.5

Product Brochure For Q218



**Features**

- Large measuring range - 1.6mm - +1.6mm
- Measurement in both directions - steel ball end
- Gradient of 12 degrees on dial face
- Mono enclosure for air tight seal

Product Brochure For Q218

**Specific Features**



Rear Mounting



Top Mounting

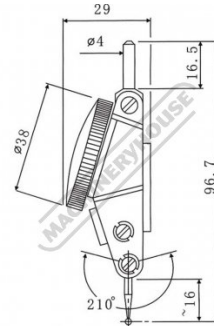


Diagram Dimensions

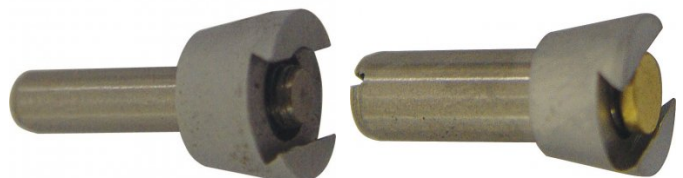
**Recommended Accessories**

Q2173  
Stylus for Dial Test Indicators

Q2171  
Dial Test Indicator - Imperial

Q2182  
Stem for Dial Test Indicators

Q2183  
Stem for Dial Test Indicators

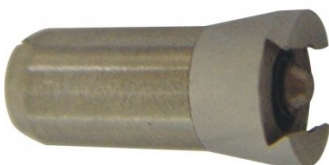


Q2184  
Stem for Dial Test Indicators

M050  
Magnetic Base - Standard

M051  
Magnetic Base - Deluxe - One Lock

Q430  
Magnetic Base - Small



Product Brochure For Q218

---

Q435  
Magnetic Base - Large



Q4351  
Magnetic Base - Large



Q436  
Magnetic Base - One Lock  
(Large)

