

Product Brochure For Q2171

Dial Test Indicator - Imperial - 34-2171

Jewel Movement - Measuring In Both Directions
0 - 0.03" Travel

Ex GST
\$110.00

Inc GST
\$126.50

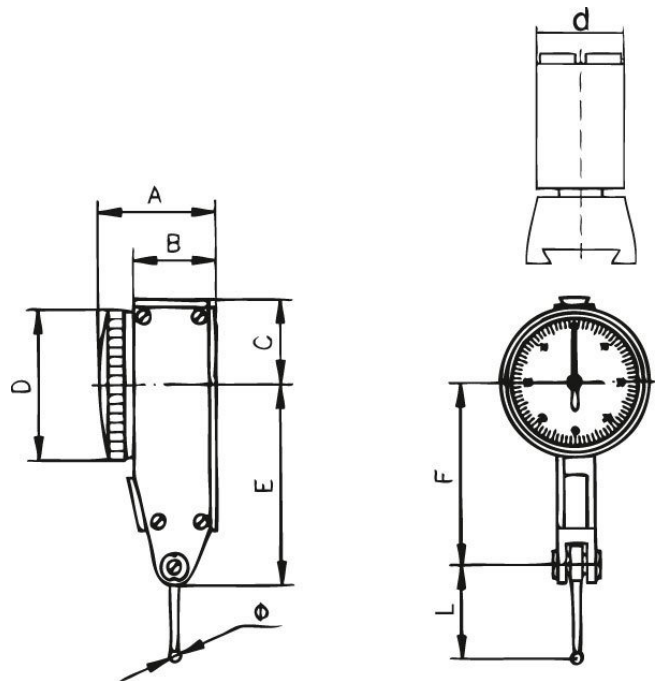


ORDER CODE:	Q2171
Range:	0 - 0.03"
Graduations:	0.0005"
A (mm):	24.5
B (mm):	17.3
B1 (mm):	~
C (mm):	16.6
D (mm):	Ø31.2
d (mm):	3.95 / 9.5
E (mm):	42.6
F (mm):	38.7
G (mm):	~
H (mm):	~
I (mm):	~
J:	~
K (mm):	~
L (mm):	19
L1 (mm):	~
Ø (mm):	2



Features

- The dial test indicator is ideally suited for all kinds of comparative measurements in the workshop and inspection room
- It also can be used together with machine tools, apparatus and other measuring devices - Steel ball end
- Jewel movement - measuring in both directions



Product Brochure For Q2171

Specific Features



Rear Mounting



Front Mounting

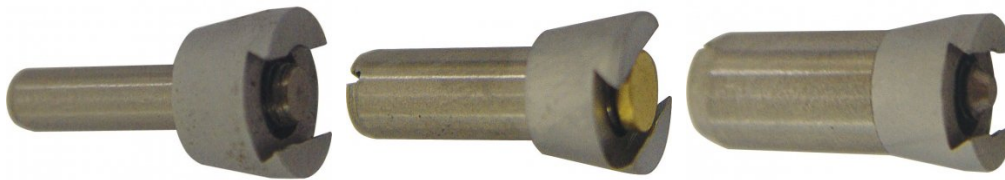
Recommended Accessories

Q2182
Stem for Dial Test Indicators

Q2183
Stem for Dial Test Indicators

Q2184
Stem for Dial Test Indicators

M050
Magnetic Base - Standard



M051
Magnetic Base - Deluxe - One Lock

Q430
Magnetic Base - Small

Q435
Magnetic Base - Large

Q4351
Magnetic Base - Large



Product Brochure For Q2171

Q436

Magnetic Base - One Lock
(Large)

