

Product Brochure For Q214

Metric Dial Indicator - Precision - 34-214

0-10mm

6 x Precision Jewel Movement



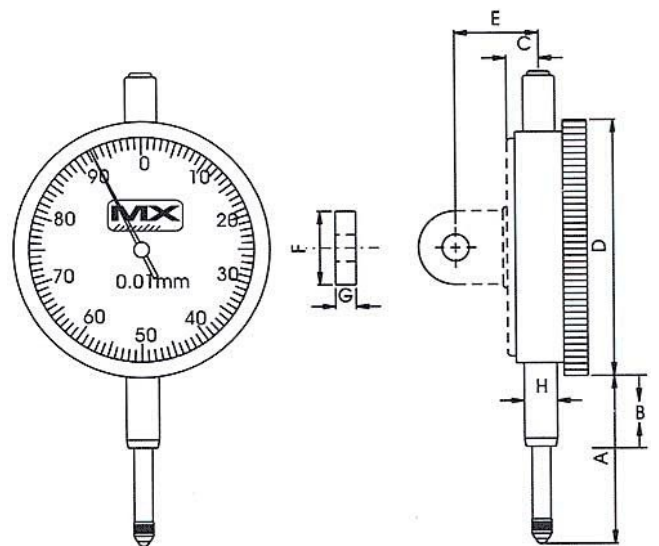
Features

- Smooth 6 jewel movement
- In-out tolerance maker
- Flat glass
- Flat back and back lug supplied
- Jewelled bearing construction, shockproof
- Individual serial numbers with corresponding calibration certificate
- Supplied in foam lined plastic case

Ex GST
\$86.00

Inc GST
\$98.90

ORDER CODE:	Q214
Range (mm):	0 - 10mm
Graduations (mm):	0.01mm
A (mm):	35
B (mm):	19
C (mm):	8
D (mm):	60
E (mm):	19
F (mm):	18
G (mm):	5
H (mm):	8



Product Brochure For Q214

Recommended Accessories

Q2165
Ø10mm Flat Contact for Dial Indicators



Q2167
Contact Point for Dial Indicators



Q2125
Back Plate with Lug for Dial Indicators



M050
Magnetic Base - Standard



M051
Magnetic Base - Deluxe - One Lock



Q430
Magnetic Base - Small



Q435
Magnetic Base - Large



Q4351
Magnetic Base - Large



Product Brochure For Q214

Q436

Magnetic Base - One Lock
(Large)

