

Product Brochure For Q213

## Metric Dial Indicator - Precision - 34-213

0-5mm

6 x Precision Jewel Movement



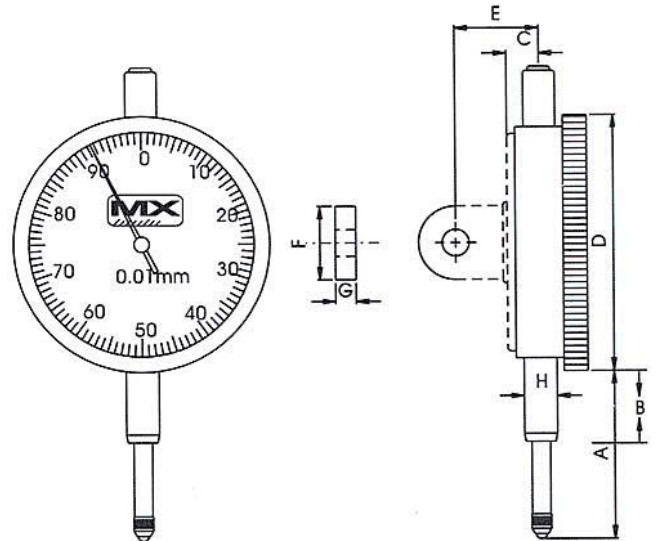
### Features

- Smooth 6 jewel movement
- In-out tolerance maker
- Flat glass
- Flat back and back lug supplied
- Jewelled bearing construction, shockproof
- Individual serial numbers with corresponding calibration certificate
- Supplied in foam lined plastic case

Ex GST  
\$92.00

Inc GST  
\$105.80

ORDER CODE:	Q213
Range (mm):	0 - 5mm
Graduations (mm):	0.01mm
A (mm):	26
B (mm):	12
C (mm):	7.2
D (mm):	40
E (mm):	19
F (mm):	16
G (mm):	5
H (mm):	8



Product Brochure For Q213

**Recommended Accessories**

Q2165  
Ø10mm Flat Contact for Dial Indicators



Q2167  
Contact Point for Dial Indicators



M050  
Magnetic Base - Standard



M051  
Magnetic Base - Deluxe - One Lock



Q430  
Magnetic Base - Small



Q435  
Magnetic Base - Large



Q4351  
Magnetic Base - Large



Q436  
Magnetic Base - One Lock (Large)

