

Product Brochure For Q211

Metric Dial Indicator - 34-211

0-10mm

Smooth movement

On Sale

Ex GST

\$92.00

\$73.91

Inc GST

\$105.80

\$85.00

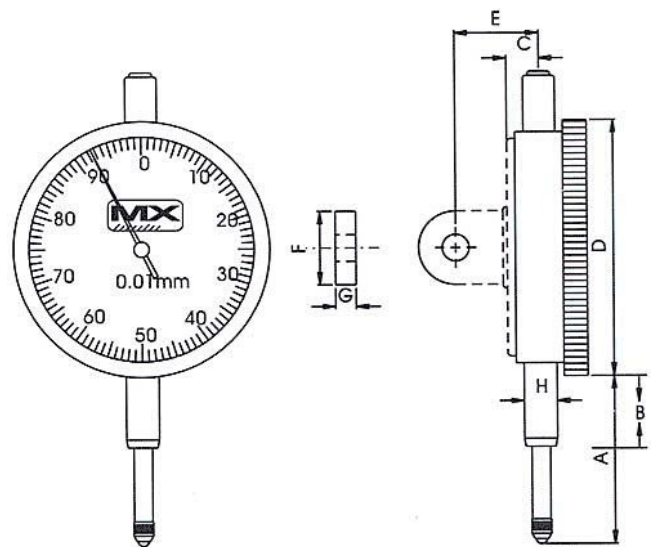


ORDER CODE:	Q211
Range (mm / inch):	0 - 10mm
Graduations (mm / inch):	0.01mm
A (mm):	40
B (mm):	21
C (mm):	8
D (mm):	58
E (mm):	19
F (mm):	17
G (mm):	6.35
H (mm):	8



Features

- Face Ø58mm - Back plate mounting lug
- Smooth movement
- In-out tolerance marker
- Supplied in foam lined plastic case with calibration certificate



Product Brochure For Q211

Recommended Accessories

Q2165
Ø10mm Flat Contact for Dial Indicators



Q2167
Contact Point for Dial Indicators



Q2125
Back Plate with Lug for Dial Indicators



M050
Magnetic Base - Standard



M051
Magnetic Base - Deluxe - One Lock



Q430
Magnetic Base - Small



Q435
Magnetic Base - Large



Q4351
Magnetic Base - Large



Product Brochure For Q211

Q436

Magnetic Base - One Lock
(Large)

