

Product Brochure For Q199

## Vernier Calipers - 33-199

1000mm/40"

Large Mono Block

**On Sale**

Ex GST

Inc GST

~~\$1,160.00~~

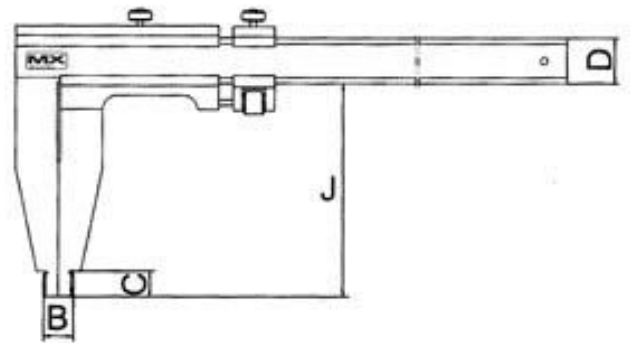
~~\$1,334.00~~

**\$929.57**

**\$1,069.00**



ORDER CODE:	Q199
Range (mm / inch):	1000mm / 40"
Graduations (mm / inch):	0.02mm / 0.001"
Accuracy (mm):	±0.07
J (mm):	200
B (mm):	20
C (mm):	20
D (mm):	32



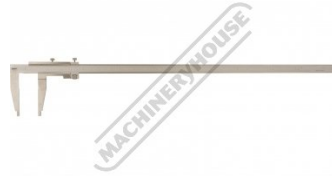
### Features

- Precision vernier calipers with stainless steel body and slides
- Clear graduations - Metric/Imperial graduations
- Mono-block design
- Supplied in wooden case
- Instrument are manufactured to ISO 10012:2003
- An ISO9001:2000 Company

## Product Brochure For Q199

---

### Specific Features



Metric and Imperial Graduations

Full View