

Product Brochure For Q1985

Vernier Calipers - 33-1985

600mm/24" #34
Large Mono Block

On Sale

Ex GST

Inc GST

~~\$464.00~~

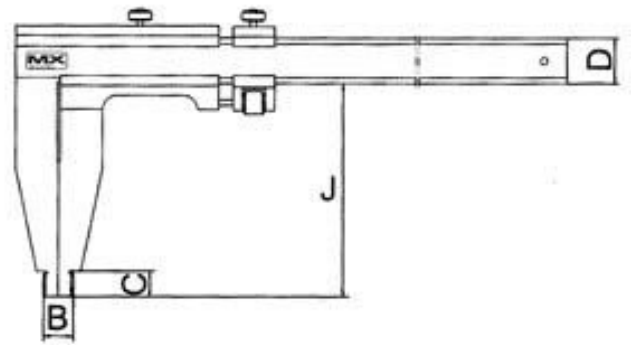
~~\$533.60~~

\$370.43

\$426.00



| | |
|--------------------------|-----------------|
| ORDER CODE: | Q1985 |
| Range (mm / inch): | 600mm / 24" |
| Graduations (mm / inch): | 0.02mm / 0.001" |
| Accuracy (mm): | ±0.05 |
| J (mm): | 150 |
| B (mm): | 10 |
| C (mm): | 12 |
| D (mm): | 25 |

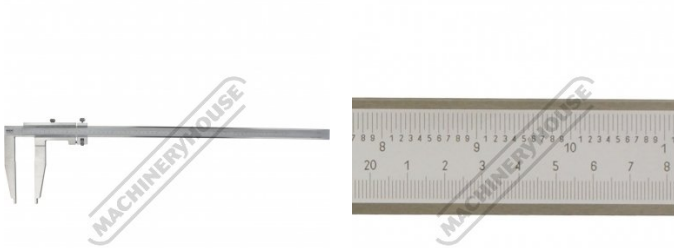


Features

- Precision vernier calipers with stainless steel body and slides
- Mono-block design
- Supplied in wooden case
- Instrument are manufactured to ISO 10012:2003
- An ISO9001:2000 Company
- Clear graduations - Metric/Imperial graduations
- Long Jaw style

Product Brochure For Q1985

Specific Features



Full View

Metric and Imperial Graduations