

Product Brochure For Q1465

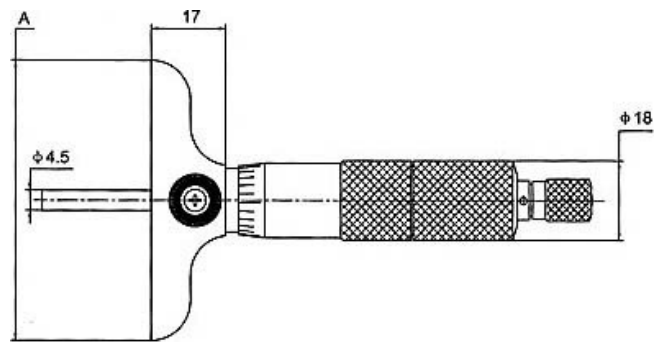
Depth Micrometer - 22-1465

0-4"

Imperial



ORDER CODE:	Q1465
Range (mm / inch):	0 - 4"
Graduation (mm):	0.001"
Accuracy (mm / inch):	±0.00020"
A (mm / inch):	4"
Rods (No.):	4



Description

High accuracy interchangeable rods with hardened and micro lapped flat anvils, provide a wide measuring range

Features

- High accuracy interchangeable rods with hardened and micro lapped flat anvils, provide a wide measuring range
- The interchangeable rods are held securely under the top ratchet section and have individual adjustment for resetting if required
- The base is hardened, ground and lapped for accuracy
- Ratchet stop for exact repetitive readings
- Positive locking clamp
- Resolution: Imperial 0.001"

Product Brochure For Q1465

Specific Features



Measuring Example



Figure 1



Figure 2



Figure 3