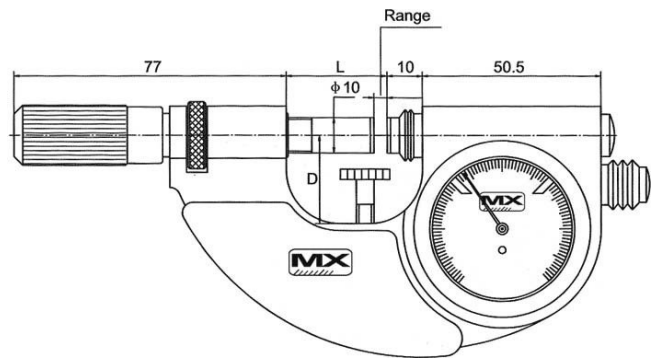


Product Brochure For Q132

## Indicator Snap Micrometer - 10-132

0-25mm

ORDER CODE:	Q132
Range (mm):	0 - 25
Accuracy (mm):	0.001
L (mm):	28.5
D (mm):	25



### Features

- Protection level IP54
- 10mm diameter carbide measuring faces
- Direct GO/NOGO judgment for mass produced parts
- Measuring force 5-10N
- Painted frame
- Carbide tipped anvils, Flatness 0.0008mm
- Indicator rang  $\pm 0.04$ mm
- Indicator resolution 0.001mm

Product Brochure For Q132

---

**Specific Features**



Test Piece



Test Piece



Rear Side