

Product Brochure For Q1251

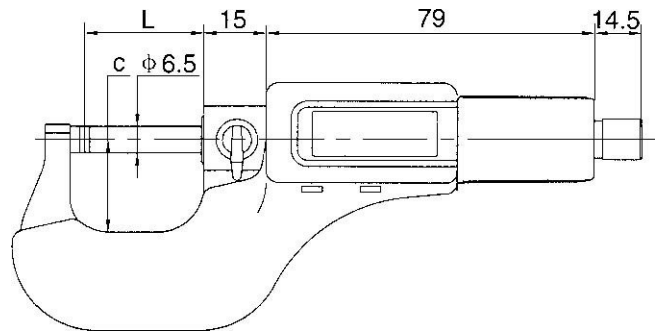
## 4 Way Digital Micrometers - 10-1251

0-30mm/0-1.2"

IP54



ORDER CODE:	Q1251
Range (mm / inch):	0 - 30mm / 0 - 1.2"
Accuracy (mm / inch):	0.004mm / 0.00016"
C (mm):	35
L (mm):	37



### Description

Quick, accurate and easy to use with IP54 protection against oil, water and coolant. Measumax 4 way digital micrometers with double display can by key, change the direction of the display for easy reading

### Features

- Protected to IP54 specifications
- 2 large LCDs for easy reading R/H or L/H
- Displays can be changed to read in any direction
- Metric-imperial conversion and zero setting keys
- Direct RS-232 output (uses cable 40-400)
- Friction thimble for easy one hand use
- Chrome plated frame. Carbide measuring faces
- Resolution: 0.001mm/0.0005"
- Criterion: DIN863/1, DIN40050/IEC529

Product Brochure For Q1251

---

**Specific Features**



1 of 4 Way



1 of 4 Way



1 of 4 Way



4 way