

Product Brochure For Q110

Metric Outside Micrometer - 10-110

75 - 100mm Range

On Sale

Ex GST

~~\$82.00~~

\$63.48

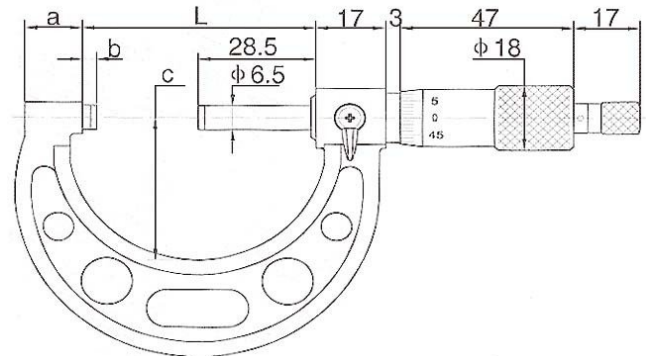
Inc GST

~~\$94.30~~

\$73.00



ORDER CODE:	Q110
Range (mm):	75 - 100
Graduation (mm):	0.01
Accuracy (mm):	0.005
Setting Bar (No.):	1
a (mm):	15
b (mm):	3
c (mm):	60
L (mm):	107
m061:	~



Description

Measumax metric micrometers represent exceptional value. Special care has been taken in design and workmanship to ensure high precision and long life. Measumax metric micrometers meet industry standards for specification and accuracy

Features

- Carbide measuring faces - Painted cast frame
- Micro-fine clear graduations on satin chrome finish
- Measuring face 6.5mm, Flatness 0.0008mm
- Ratchet stop for exact repetitive readings
- Includes deluxe foam lined plastic case and wrench
- Graduation 0.01mm
- Supplied with setting standards